

NF3J

Small chassis frontload washer
for semi-commercial laundry applications



FEATURES

- Freestanding: can be installed on any floor and any level
- Top, front and side panels standard available in white
- Stainless steel outer and inner drum
- Door opens 180° for easy loading and unloading
- Standard drain pump
- Redesigned soap box with 4 compartments
- 440 G-force extraction
 - removes more moisture
 - minimizes drying times and utility costs
- 6 wash programs including possibility of programming cycle modifier options
 - added prewash
 - extra wash time
 - extra rinse

OPTIONS

- Top, front and side panels in stainless steel
- Drain valve
- Coin-operated version for vended laundry applications

OPTIONAL

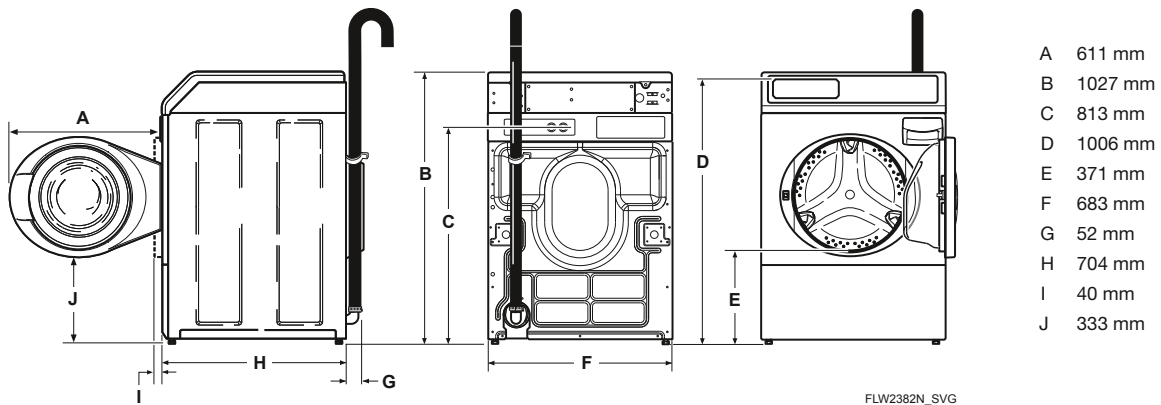


DIMENSIONS & SPECIFICATIONS

SMALL CHASSIS FRONTLOAD WASHER FOR SEMI-COMMERCIAL LAUNDRY APPLICATIONS

Model		NF3L
Cylinder volume	l	96,8
G-force		440
Spin speed	rpm	1200
Motor size	kW	Variable speed – Induction 0,67
Water consumption per cycle	l	44,3
Available heat sources		None or electric
Available heating element	Electric W	4800
Available water temperatures		5
Water pressure	Bar	1.4 / 8.3
Cycle indicator lights		Yes
Cylinder finish		Stainless steel
Available colors		Standard white, optional stainless steel
Door type		Window
Available electrical requirements		120/60/1-15A – 230/60/1-6A – 230/400/50/3 – 220/60/1-6A
Dimensions (H x W x D)	mm	1027 x 683 x 704
Net weight	kg	122
Transport data		
Bruto weight	kg	132
Shipping dimensions (H x W x D)	mm	1156 x 737 x 832

Models Equipped With Drain Hose



Models With Gravity Drain

