



Goud Laundry Solutions

Importeur & leverancier van Speed Queen Professionele wasapparatuur
 Importeur & leverancier van Ajax persen en shirt finishers
 Importeur & leverancier van Unimac Professionele wasapparatuur
 Leverancier van zeepdoseringspompen
 Onderdelen verkoop van alle merken professionele wasapparatuur
 Reparatie service en onderhoud in eigen beheer

Tel: 0186-576050 - Fax: 0186-575047 - info@laundrysolutions.nl - www.laundrysolutions.nl

Drying cabinet GTS4121

Features

- The drying cabinet is working with negative pressure which eliminates leakage of air into the room
- Dual fans and air ducts give perfect air balance and an even drying result in the whole cabinet
- 18 pivoting hanging rolls made of anodized and painted tubing
- Automatic drying program
- Adjustable floor supports – for easy installation
- Timer for adjustable drying time 0-90 min
- Large doors and opening angle – for easy use



Main specifications		TS4121
Loading capacity	kg	6-8
Drying capacity*	g/min	72
Drying time	min	45
Heating effect	kW	6
Heat pump	kW	-
Energy consumption/kg	kWh	0.7

* The time is valid for 6 kgs of cotton with a moisture retention of 55%.

Prijzenoverzicht	
Droogkast GTS4121 elektrisch verwarmd	€ 2.790,=
montage kosten	€ 150,=





Goud Laundry Solutions

Importeur & leverancier van Speed Queen Professionele wasapparatuur
 Importeur & leverancier van Ajax persen en shirt finishers
 Importeur & leverancier van Unimac Professionele wasapparatuur
 Leverancier van zeepdoseringpompen
 Onderdelen verkoop van alle merken professionele wasapparatuur
 Reparatie service en onderhoud in eigen beheer

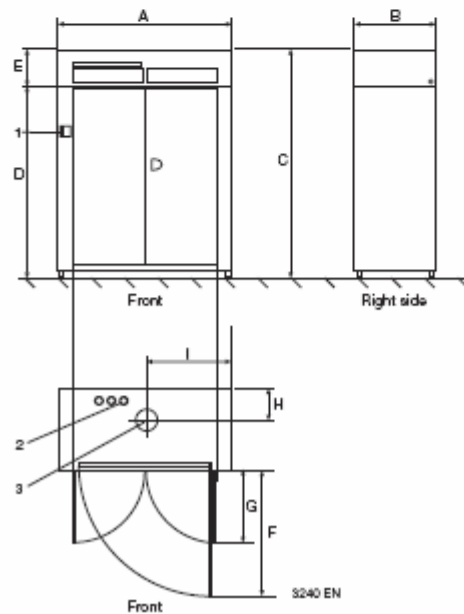
Tel: 0186-576050 - Fax: 0186-575047 - info@laundrysolutions.nl - www.laundrysolutions.nl

Electrical connections	TS4121	
Voltage	400V 3N AC 50 Hz kW(A)	
		6.2(10)
Connections		
Air outlet	ø mm	125
Evacuated air	m ³ /h	200
Pressure drop*	Max. Pa	70
Shipping data		
	net, kg	127
Dimensions in mm		
A Width		1195
B Depth		580
C Height		1820
D		1565
E		255
F		820
G		510
H		205
I		595
1 Control panel 2 Electrical connections 3 Exhaust connection		

* Equal to ø125 mm is equal to 23 m straight pipe.
 Using ø160 mm exhaust pipe is equal to 70 m straight pipe.

NOTE! The drying cabinet has to be fixed to a wall.

We reserve the right to alter specifications without notice.



Paukenslag 1
 3286TD Klaaswaal
Tel: 0186-576050 Fax: 0186-575047
Mobiel : 06-20607465
www.laundrysolutions.nl - info@laundrysolutions.nl

