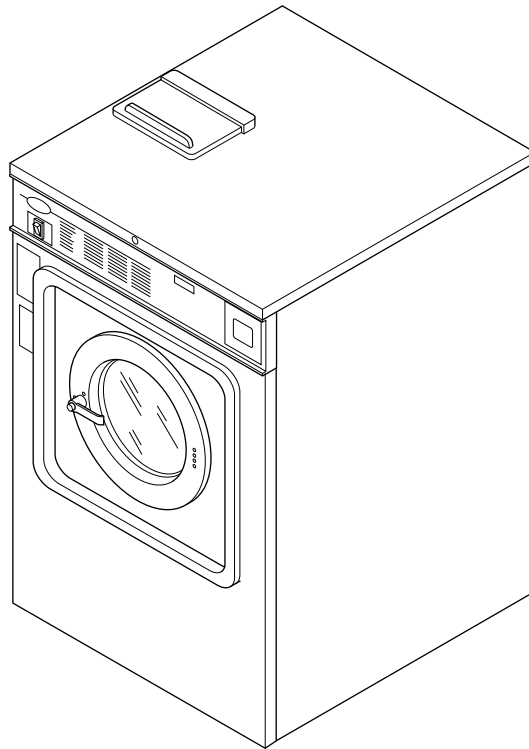


Washer-Extractor

Cabinet Freestanding
Refer to Page 3 for Model Numbers



U026P_F232017

Table of Contents

Title	Page
Parts Ordering Information.....	2
Nameplate Location	2
Model Identification	3
Decals	4
Control Module.....	6
AC Drive - 160 AC Drive	8
AC Drive - 1305 AC Drive	10
Panels	12
Upper Front Panel, Control Panel Decal and Controls	14
Supply Dispenser.....	16
Supply Dispenser Connections.....	18
Clamps and Hoses.....	20
Water Inlet Valves, Hoses and Vacuum Breaker	22
Door Assembly and Middle Front Cover	24
New Style Door Handle.....	26
Door Lock - Models Through 12/11/00	28
Door Lock - Models Starting 12/11/00	30
Basket, Shell and Shell Front.....	32
Temperature Probe and Air Trap Hose.....	34
Drain Valve, Hoses and Frame Assembly	36
Motor, Belt, Pulley and Suspension	38
Parts Index.....	41

© Copyright 2006, Alliance Laundry Systems LLC

All rights reserved. No part of the contents of this book may be reproduced or transmitted in any form or by any means without the expressed written consent of the publisher.

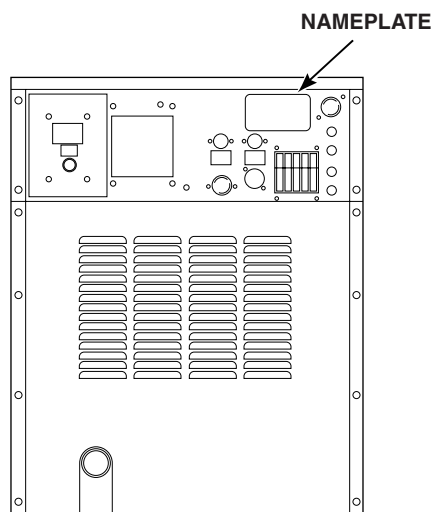
Parts Ordering Information

If literature or replacement parts are required, contact the source from whom the machine was purchased or contact Alliance Laundry Systems at (920) 748-3950 for the name and address of the nearest authorized parts distributor.

For technical assistance, call (920) 748-3121.

Nameplate Location

When calling or writing about your product, be sure to mention model and serial numbers. Model and serial numbers are located on nameplate(s) as shown.



U098P_F232017

Model Identification

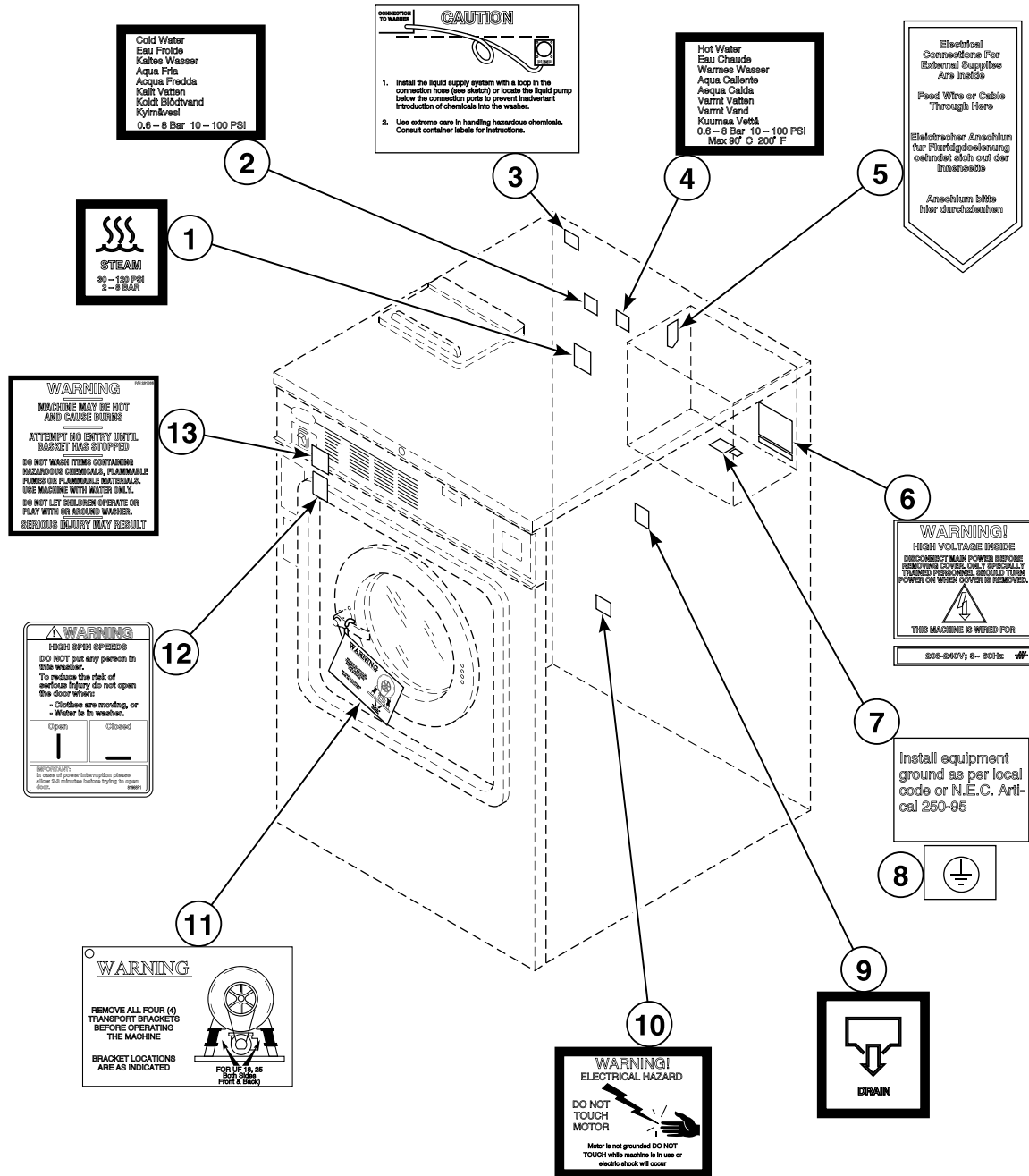
Information in this manual is applicable to these washer-extractor models:

HF18VNV
HF25VNV

SF18VNV
SF25VNV

UF18VNV
UF25VNV

Decals

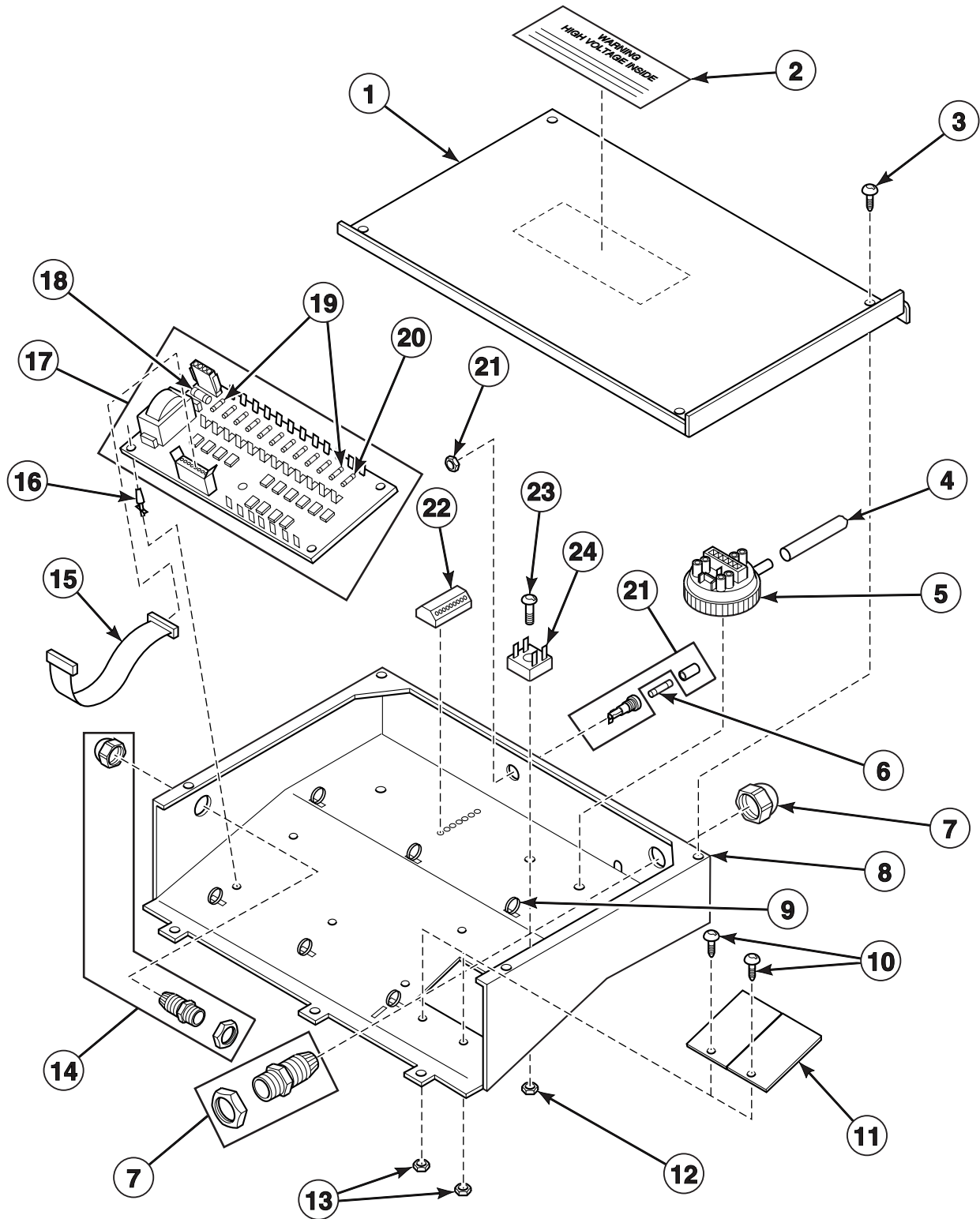


CFS1935P_F232017

Decals

REF	PART NO.	DESCRIPTION	COMMENTS
1	F231147	Steam Decal	
2	F230857	Cold Water Decal	
3	F230877	Liquid Supply Decal	
4	F230856	Hot Water Decal	
5	F230217	Electric Warning Decal	
6	505281	Disconnect Power Warning Label	
7	F230630	Ground Decal	
8	F230739	Ground Decal	
9	F231150	Drain Decal	
10	F230831	Electric Hazard Warning Decal	
11	F230560	Remove Transformer Bracket Warning Tag	
12	81968	Door Warning Label	
13	F231065	Personal Injury Warning Decal	

Control Module

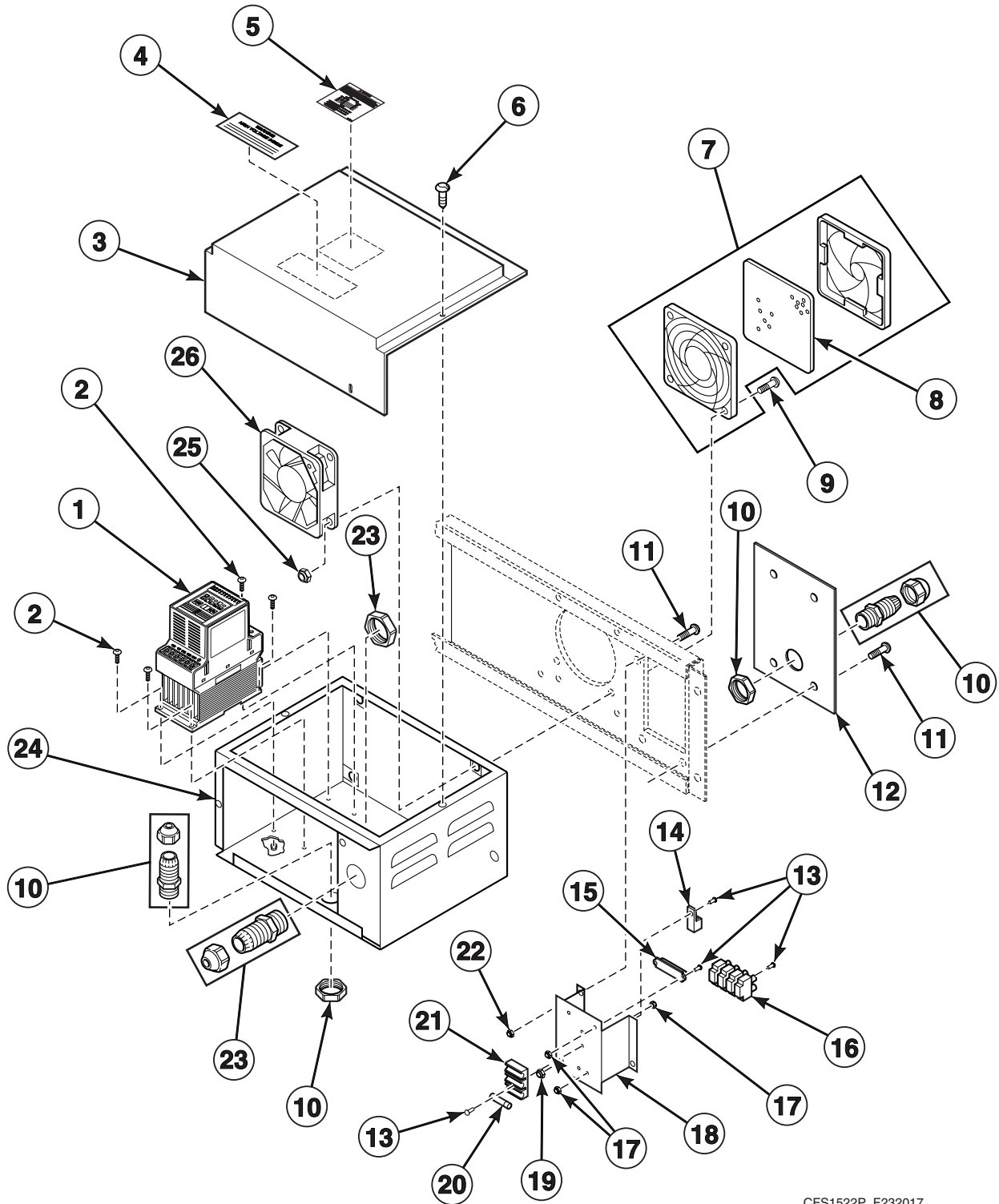


CFS1520P_F232017

Control Module

REF	PART NO.	DESCRIPTION	COMMENTS
1	F609487	Electrical Panel Cover	
2	505281	Disconnect Power Warning Label	
3	F430174	Screw	
4	F200142	Air Trap Hose	
5	F0340343-10P	Water Level Switch	
	F0340350-00	Water Pressure Switch	Heat safety
6	F350131	Fuse	2 Amp
7	F140224	Strain Relief Connector	PG29
8	F609486	Electrical Box	
9	F140668	Connector	
10	F430928	Screw	
11	F631032	Coin Drop Cover	
12	F430220	Nut	
13	F430231	Nut	
14	F140331	Strain Relief Connector	PG21
15	F140247	Ribbon Cable	26 pin; 8 inches
16	F180501	Standoff	
17	F370447P	Output Board CCA	
18	F350108	Fuse	1/8 Amp
19	F350109	Fuse	1/2 Amp
20	F350133	Fuse	1-1/4 Amp
21	F350304P	Fuse Holder	
22	F140883	Jumper	
23	F430994	Screw	
24	F370310	Bridge Rectifier	

AC Drive - 160 AC Drive

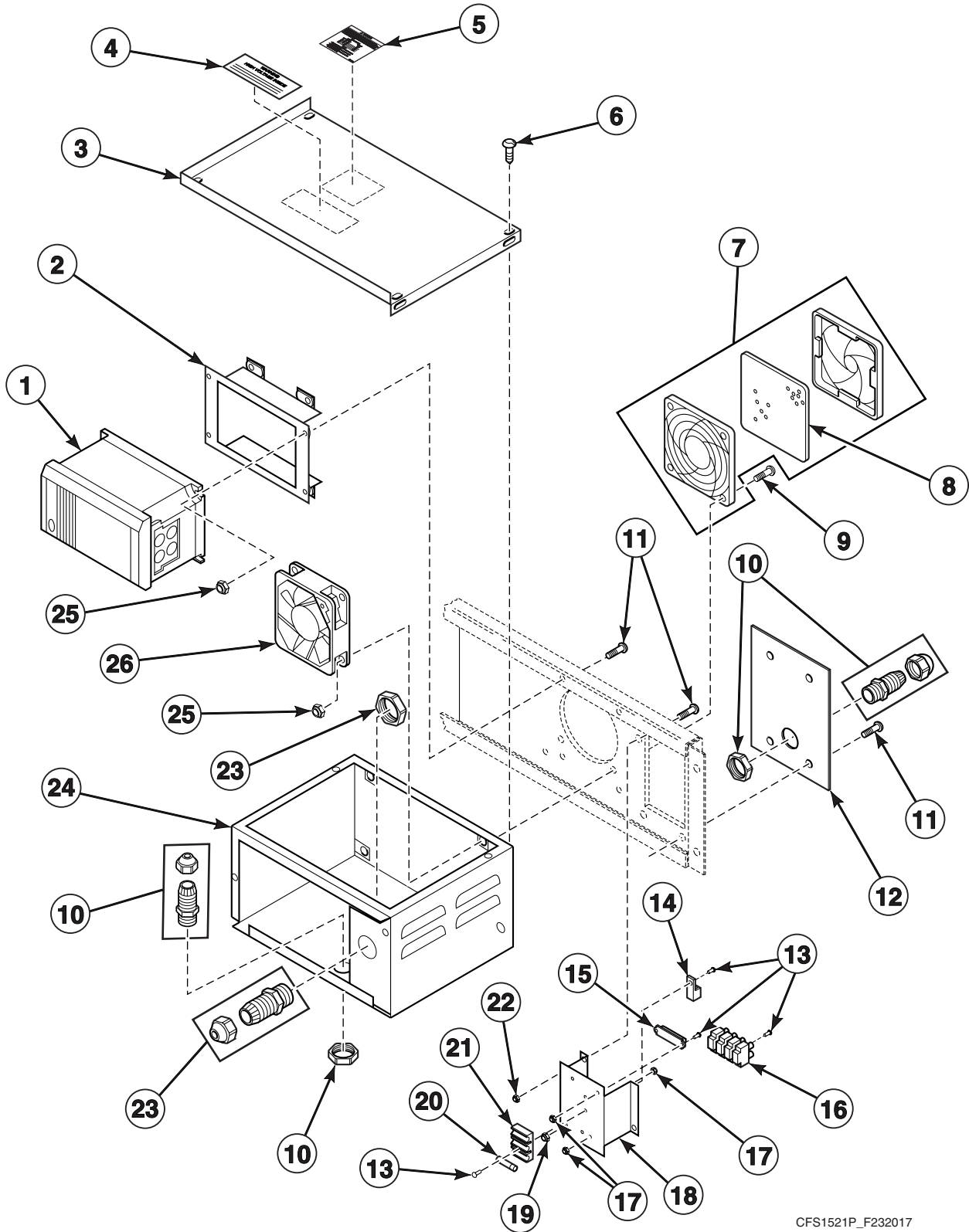


CFS1522P_F232017

AC Drive - 160 AC Drive

REF	PART NO.	DESCRIPTION	COMMENTS
1	F370855	Inverter Drive	Models HF18VNV, SF18VNV and UF18VNV; Q and T-voltage models
	F370856	Inverter Drive	Models HF18VNV, SF18VNV and UF18VNV; P-voltage models
	F370857	Inverter Drive	Models HF25VNV, SF25VNV and UF25VNV; Q and T-voltage models
	F370858	Inverter Drive	Models HF25VNV, SF25VNV and UF25VNV; P-voltage models
2	F430976	Screw	
3	F0634847-00	AC Drive Box Cover	
4	F231416	AC Drive Caution Decal	
5	F231299	Control Transformer Decal	
6	F430174	Screw	
7	F220900	Filter Retainer Guard	
8	F0270321-00P	Filter	
9	F430910	Screw	
10	F140329	Strain Relief Connector	PG13.5
11	F430929	Screw	
12	F609484	Connection Box Cover	
13	F430938	Screw	
14	F140734	Ground Terminal Lug	
15	F140766	Terminal	8 place
16	F140747	Input Power Block	
17	F430231	Nut	
18	F609483	Connection Box	
19	F430232	Nut	
20	F350128	Fuse	
21	F350304P	Fuse Holder	
22	F431005	Nut	
23	F140331	Strain Relief Connector	PG21
24	F634848	AC Drive Box Assembly	
25	F430215	Nut	
26	F110106	Muffin Fan	1.5 inch; 102 cubic feet per minute
	F220899	Fan	1 inch; 77 cubic feet per minute

AC Drive - 1305 AC Drive

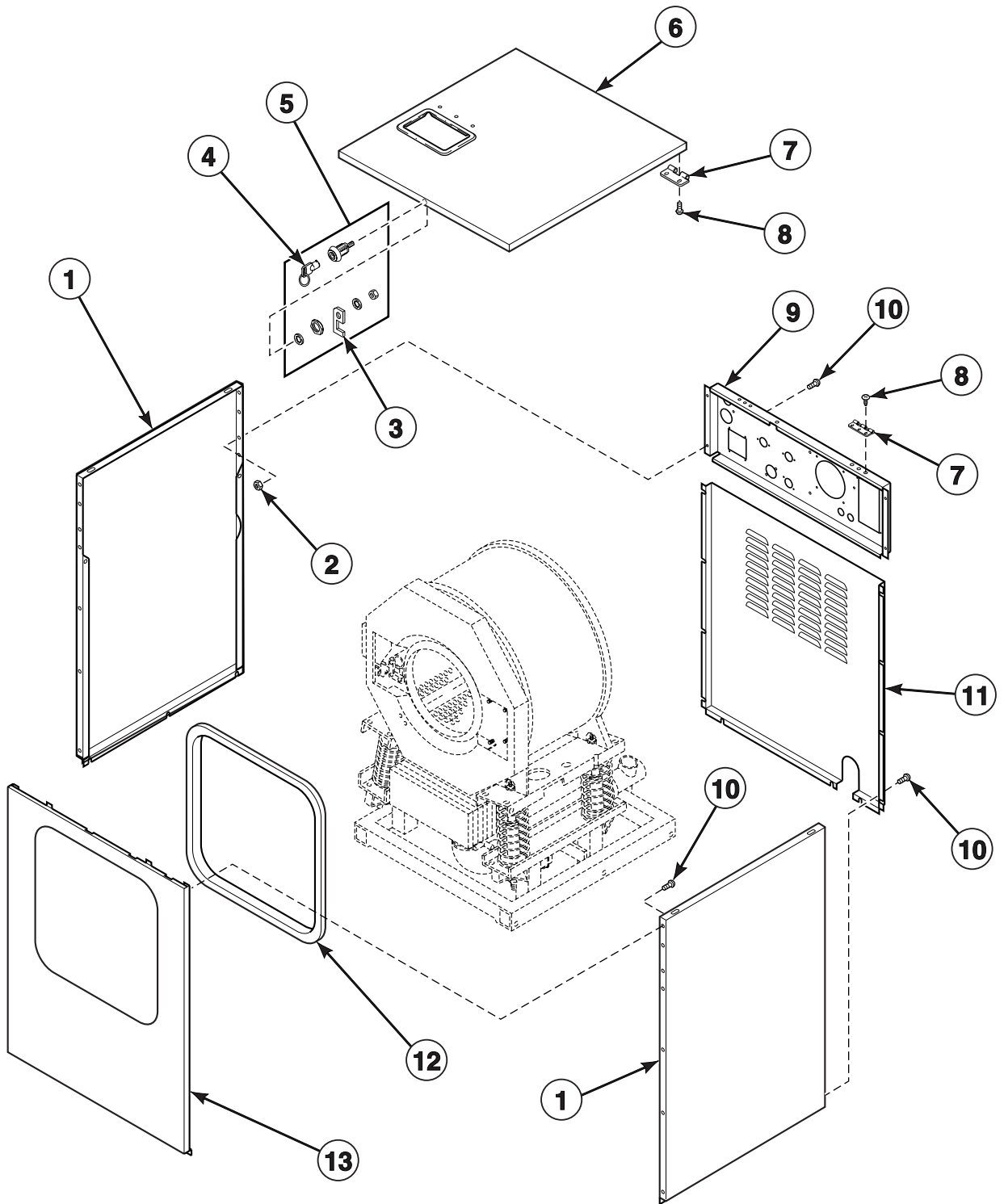


CFS1521P_F232017

AC Drive - 1305 AC Drive

REF	PART NO.	DESCRIPTION	COMMENTS
1	F370811	Inverter Drive	Models HF18VNV, SF18VNV and UF18VNV; Q and T-voltage models
	F370812	Inverter Drive	Models HF18VNV, SF18VNV and UF18VNV; P-voltage models
	F370813	Inverter Drive	Models HF25VNV, SF25VNV and UF25VNV; Q and T-voltage models
	F370858	Inverter Drive	Models HF25VNV, SF25VNV and UF25VNV; P-Voltage models
2	F609489	AC Drive Mounting Bracket	Models HF18VNV, SF18VNV and UF18VNV
	F609563	AC Drive Mounting Bracket	Models HF25VNV, SF25VNV and UF25VNV
3	F609487	Electrical Panel Cover	
4	F231416	AC Drive Caution Decal	
5	F231299	Control Transformer Decal	
6	F430174	Screw	
7	F220900	Filter Retainer Guard	
8	F0270321-00P	Filter	
9	F430910	Screw	
10	F140329	Strain Relief Connector	PG13.5
11	F430929	Screw	
12	F609484	Connection Box Cover	
13	F430938	Screw	
14	F140734	Ground Terminal Lug	
15	F140766	Terminal	8 place
16	F140747	Input Power Block	
17	F430231	Nut	
18	F609483	Connection Box	
19	F430232	Nut	
20	F350128	Fuse	
21	F350304P	Fuse Holder	
22	F431005	Nut	
23	F140331	Strain Relief Connector	PG21
24	F634848	AC Drive Box Assembly	
25	F430215	Nut	
26	F110106	Muffin Fan	1.5 inch; 102 cubic feet per minute
	F220899	Fan	1 inch; 77 cubic feet per minute

Panels

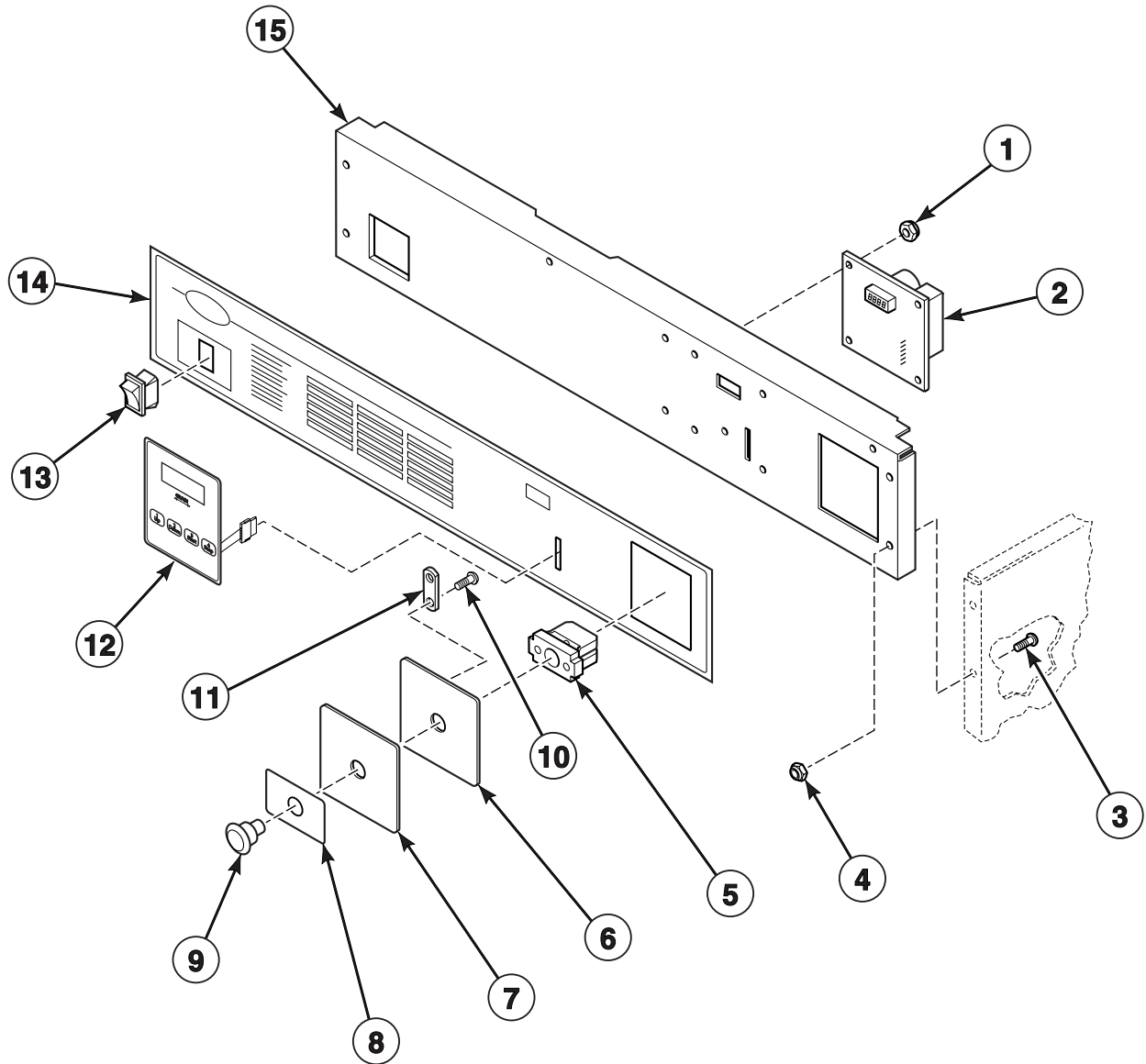


CFS1897P_F232017

Panels

REF	PART NO.	DESCRIPTION	COMMENTS
1	F609478	Side Panel	Models HF18VNV, SF18VNV and UF18VNV
	F609573	Side Panel	Models HF25VNV, SF25VNV and UF25VNV
2	F431024	Nut	
3	F602753	Top Cover Latch	
4	F160562	Key	
5	F190802P	Lid Lock	Includes items 3 and 4
6	F632976	Top Cover Assembly	Models HF18VNV, SF18VNV and UF18VNV
	F632976-1	Top Cover Assembly	Models HF25VNV, SF25VNV and UF25VNV
7	F190203P	Take-Apart Hinge	
8	F430174	Screw	
9	F634843	Valve Panel	Models HF18VNV, SF18VNV and UF18VNV
	F634844	Valve Panel	Models HF25VNV, SF25VNV and UF25VNV
10	F430925	Screw	
11	F609477	Rear Cover	Models HF18VNV, SF18VNV and UF18VNV
	F609568	Rear Cover	Models HF25VNV, SF25VNV and UF25VNV
12	F170180P	Front Cover Gasket	
13	F609480	Front Cover	Models HF18VNV, SF18VNV and UF18VNV
	F609572	Front Cover	Models HF25VNV, SF25VNV and UF25VNV

Upper Front Panel, Control Panel Decal and Controls



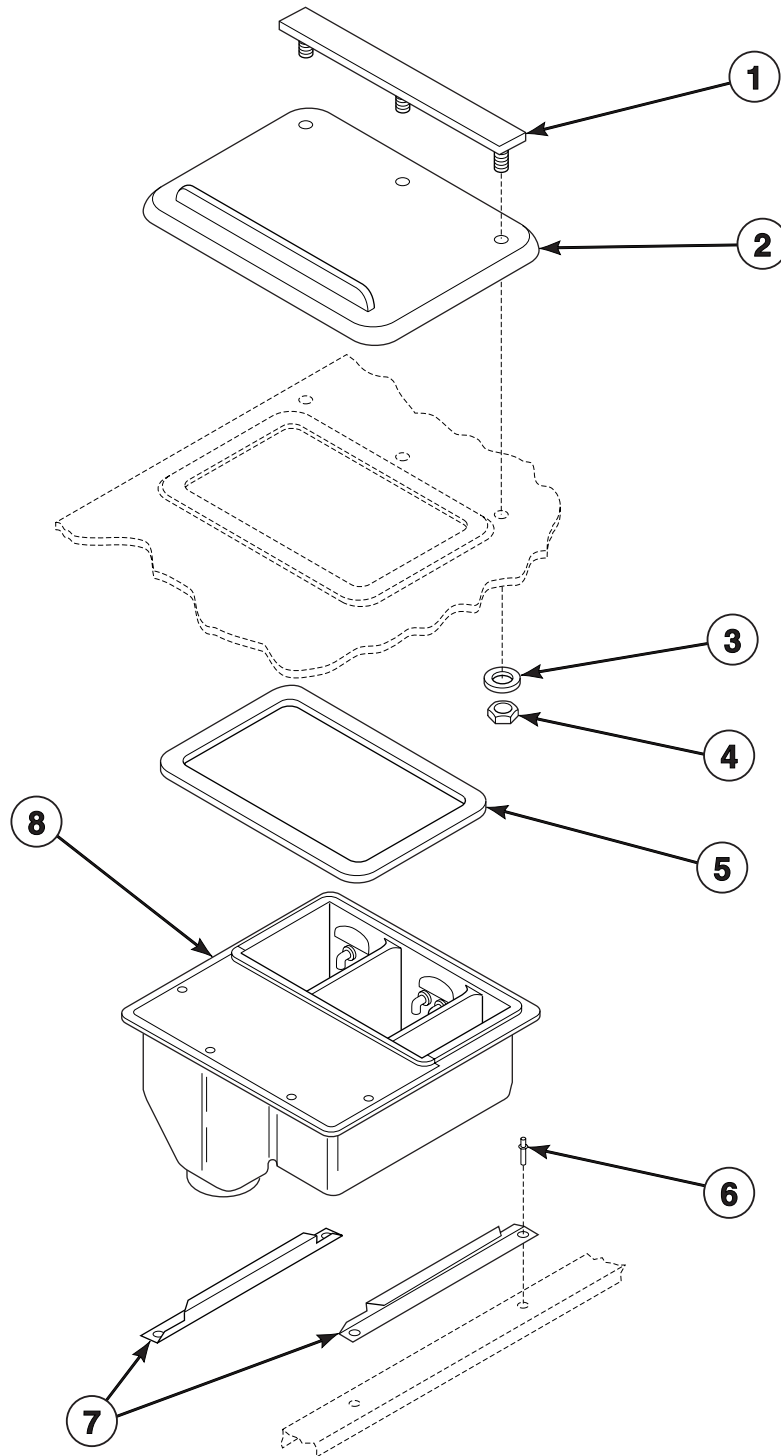
CFS1898P_F232017

Upper Front Panel, Control Panel Decal and Controls

REF	PART NO.	DESCRIPTION	COMMENTS
1	F430231	Nut	
2	F370313-10P	V-Series Microcomputer Board Kit	
3	F430925	Screw	
4	F431024	Nut	
5	F340445	Contact Block Switch	
6	F609512	Emergency Stop Weldment	
7	F230657	Panel Decal	
8	F231083	Emergency Stop Decal	
9	F340718	Emergency Stop Pushbutton	
10	F430986	Screw	
11	F601515	Clip	
12	F370576P	Keypad	
13	F340412	Momentary Switch	
14	F231159	Control Panel Decal	Model SF18VNV; Models through 2/00; May be used on models made after 2/00
	F0231583-00	Control Panel Decal	Model SF18VNV; Icon; Models starting 2/00
	F231160	Control Panel Decal	Model SF25VNV; Models through 2/00; May be used on models made after 2/00
	F0231583-04	Control Panel Decal	Model SF25VNV; Models starting 2/00
	F231080	Control Panel Decal	Model UF18VNV; United States; Models through 2/00; May be used on models made after 2/00
	F231081	Control Panel Decal	Model UF18VNV; European; Models through 2/00; May be used on models made after 2/00
	F0231583-05	Control Panel Decal	Model UF18VNV; Models starting 2/00
	F0231583-01	Control Panel Decal	Model UF18VNV; Icon; Models starting 2/00
	F231402	Overlay	Model UF25VNV; United States; Models through 2/00; May be used on models made after 2/00
	F231145	Control Panel Decal	Model UF25VNV; European; Models through 2/00; May be used on models made after 2/00
	F0231583-03	Control Panel Decal	Model UF25VNV; Models starting 2/00
	F0231583-02	Control Panel Decal	Model UF25VNV; Icon; Models starting 2/00
	F231240	Control Panel Decal	Model HF18VNV
	F231242	Control Panel Decal	Model HF25VNV
15	N/A	Control Panel	Models HF18VNV, SF18VNV and UF18VNV
	F0635954-00	Control Panel	Models HF25VNV, SF25VNV and UF25VNV

N/A = Part no longer available

Supply Dispenser

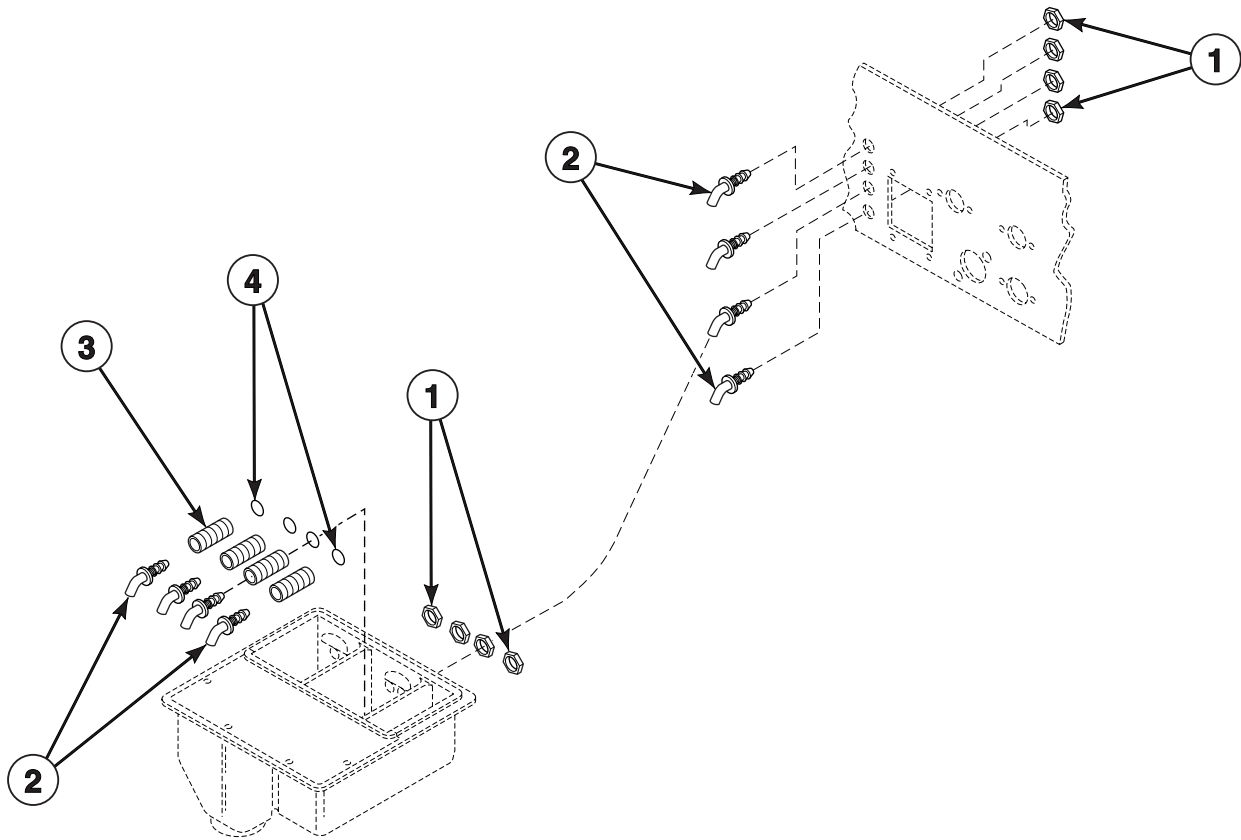


U027P_F232017

Supply Dispenser

REF	PART NO.	DESCRIPTION	COMMENTS
1	F630430	Lid Clamp Assembly	
2	F200270501	Supply Dispenser Lid	
3	F430317	Washer	
4	F431005	Nut	
5	F170170	Supply Dispenser Gasket	
6	F431215	Pop Rivet	
7	F602722	Mounting Bracket	
8	F602374-2	Soap Dispenser	4 nozzle
	F602374-3	Supply Dispenser	5 nozzle

Supply Dispenser Connections

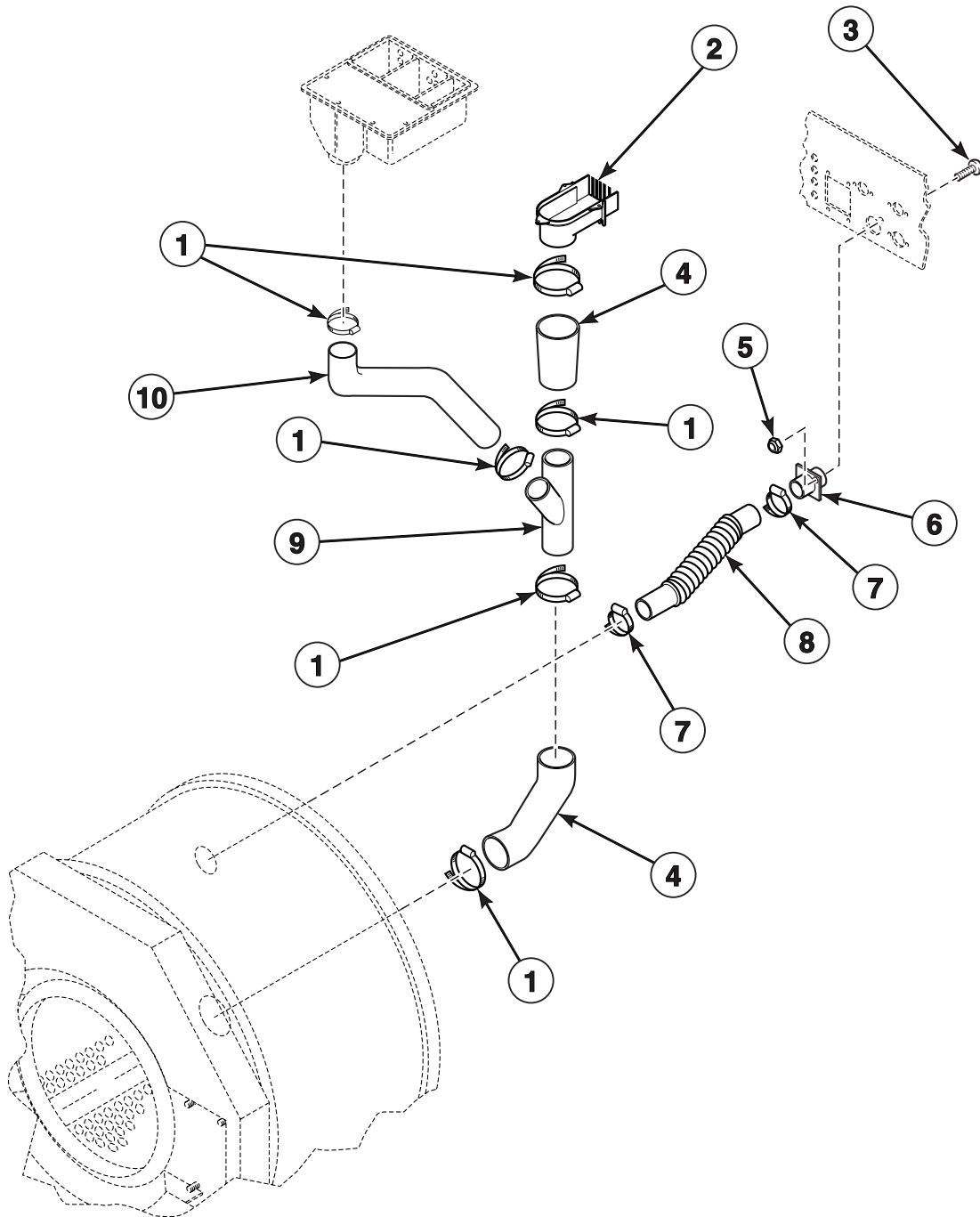


CFS897P_F232017

Supply Dispenser Connections

REF	PART NO.	DESCRIPTION	COMMENTS
	F730168	Injection Nozzle Kit	Includes items 1-3
1	F430224	Nut	
2	F380300	Injection Nozzle	
3	F190303	Cap	Remove for chemical dispenser hookup
4	F170208	O-Ring	

Clamps and Hoses

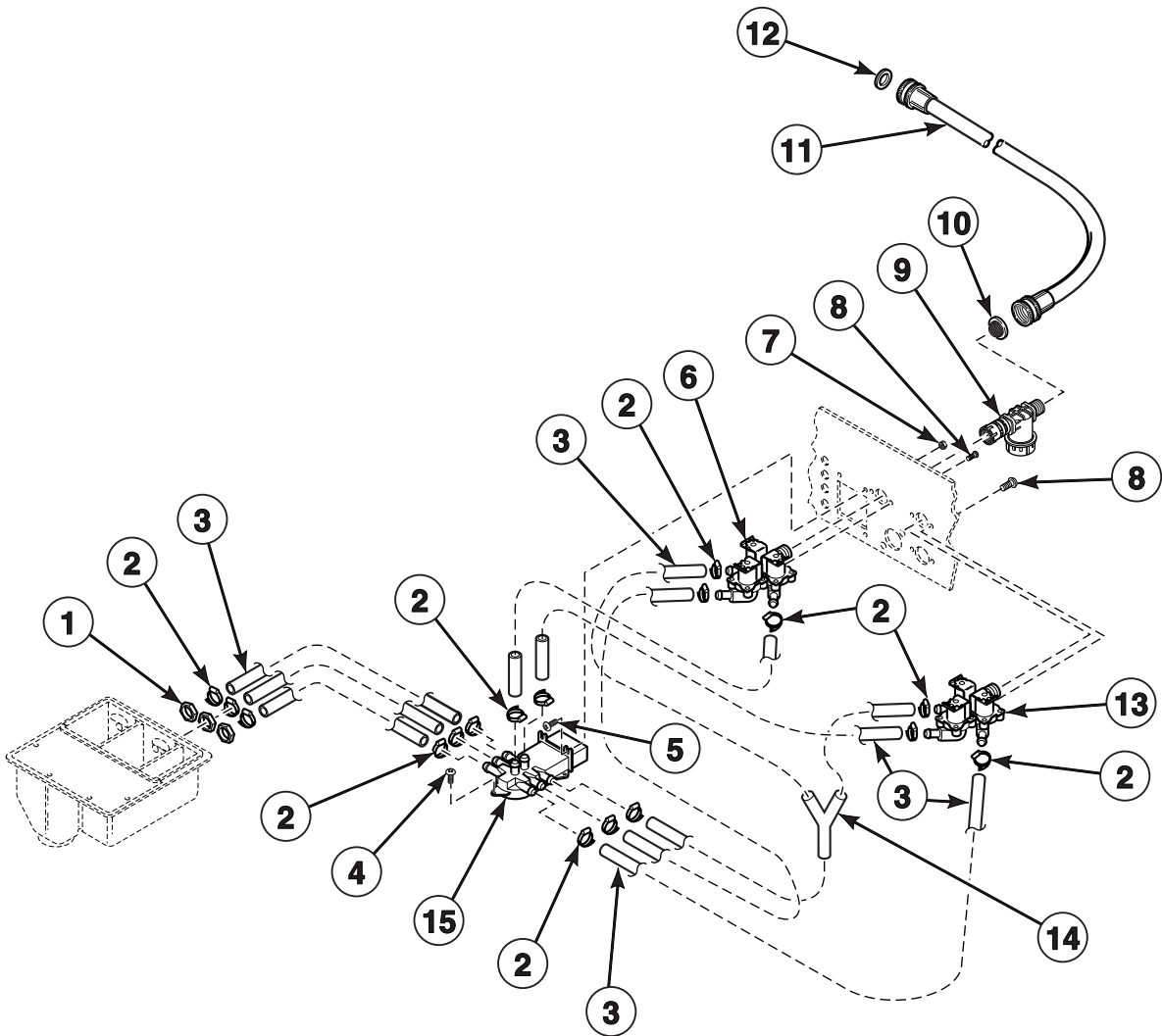


CFS1524P_F232017

Clamps and Hoses

REF	PART NO.	DESCRIPTION	COMMENTS
1	F200213	Hose Clamp	No. 40
2	F150330	Vacuum Breaker Bottom	
3	F430925	Screw	
4	F150436	Fill Hose	
5	F431024	Nut	
6	F422517	Vent Nipple	
7	F200204	Hose Clamp	No. 20
8	F200170	Vent Hose	
9	F421612	Wye	
10	F150454	Supply Hose	

Water Inlet Valves, Hoses and Vacuum Breaker

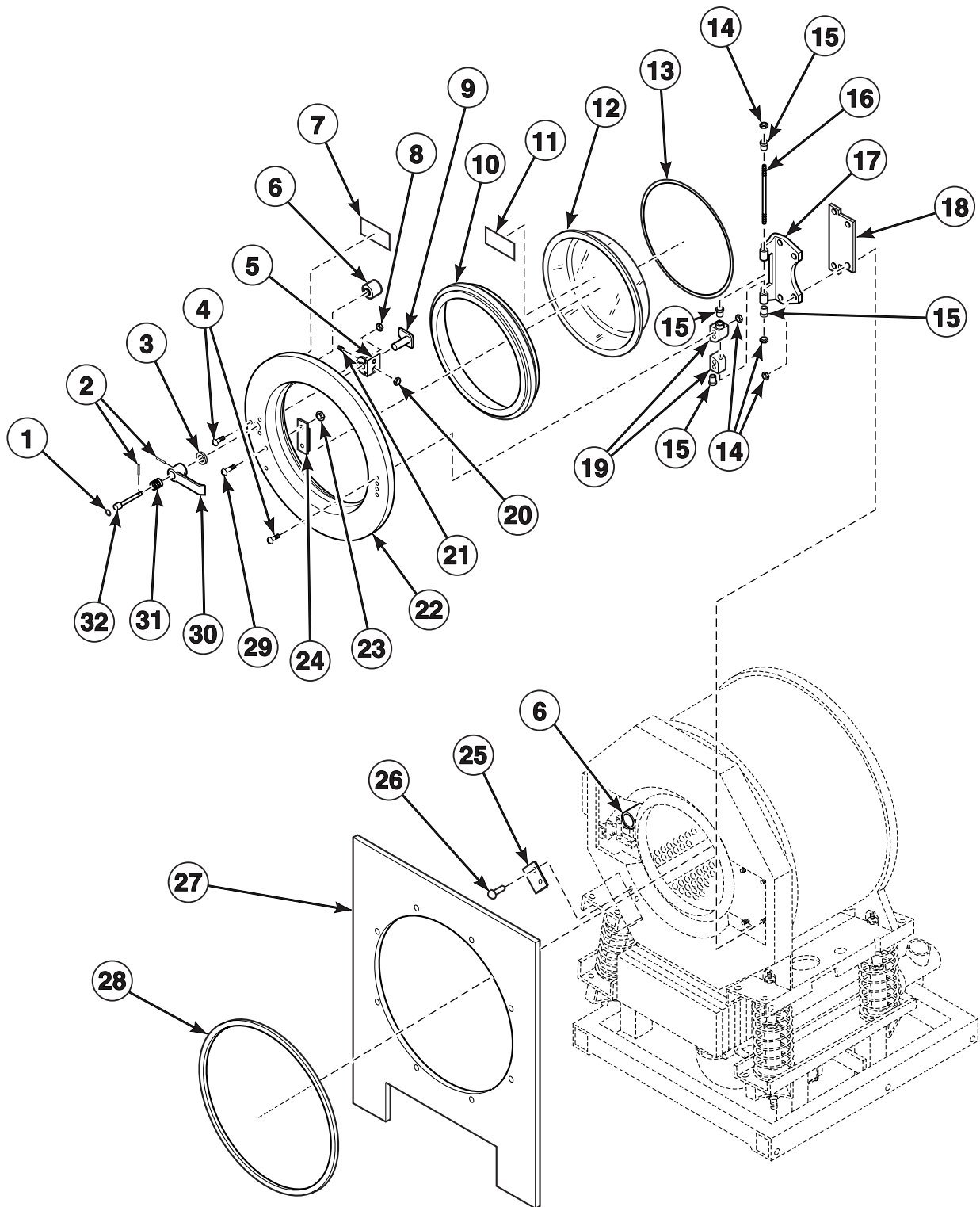


CFS1899P_F232017

Water Inlet Valves, Hoses and Vacuum Breaker

REF	PART NO.	DESCRIPTION	COMMENTS
1	F430224	Nut	
2	36801	Hose Clamp	No. 8
3	F200108P	Water Hose	Order 2 feet per hose
4	F430174	Screw	
5	F430976	Screw	
6	F381720P	3-Way Valve	Standard thread
	F381725P	3-Way Valve	Metric thread
	F380938	Valve Repair Kit	
7	F430232	Nut	
8	F430948	Screw	
9	F270306P	Filter	Optional
10	F270300	Filter Screen	
11	F200164	Water Hose	
12	20290	Washer	
13	F381728P	3-Way Valve	Standard thread
	F381725P	3-Way Valve	Metric thread
	F380938	Valve Repair Kit	
14	F422808	Y Connector	
15	F0150329-00	Vacuum Breaker Top	

Door Assembly and Middle Front Cover

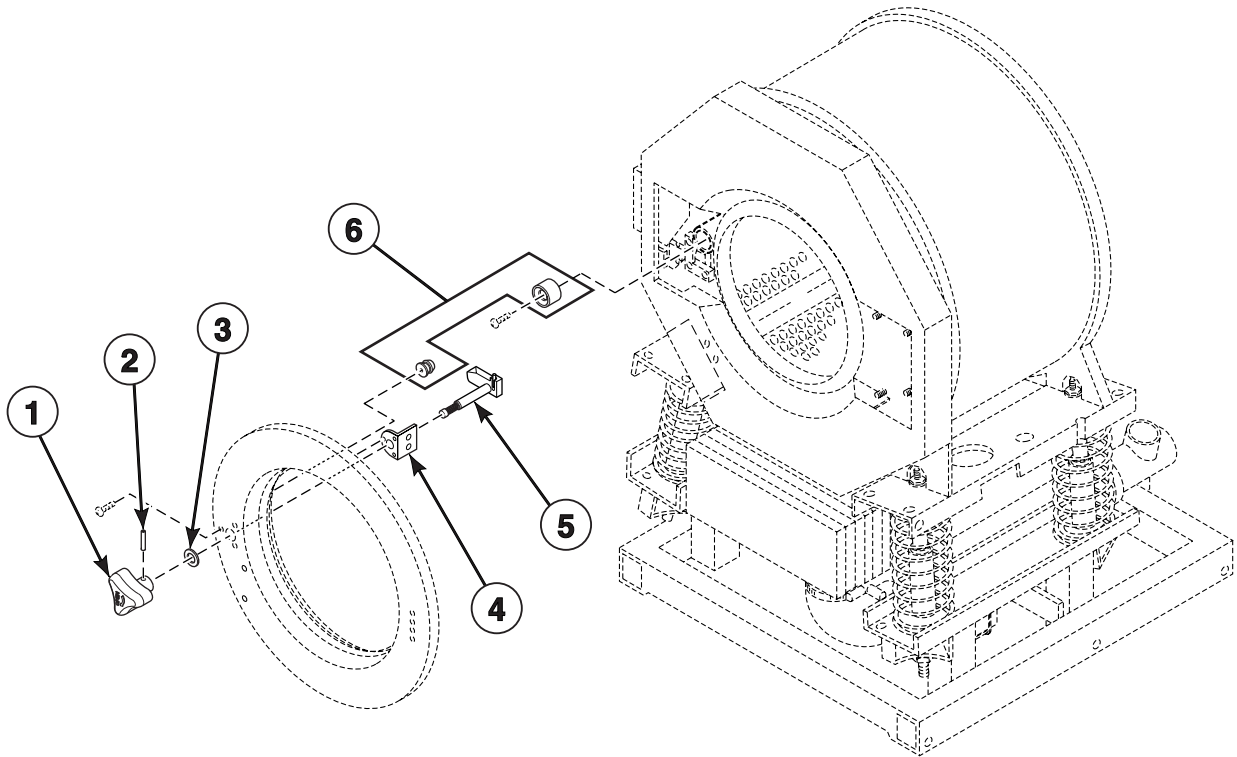


CFS1531P_F232017

Door Assembly and Middle Front Cover

REF	PART NO.	DESCRIPTION	COMMENTS
1	F230662	Red Dot Decal	
2	F431222	Spring Pin	
3	F431916	Washer	
4	F430976	Screw	
5	F432305	Door Holder Spacer	
6	F150267P	Door Holder	
7	F230661	Push Red Button Decal	
8	F430232	Nut	
9	F730155	Door Handle Kit	
10	F200000201	Door Gasket	Models HF18VNV, SF18VNV and UF18VNV
	F170123-1	Door Gasket	Models HF25VNV, SF25VNV and UF25VNV
11	F230693	Counterclockwise Spin Rotation Decal	
12	F290205P	Door Glass Kit	Models HF18VNV, SF18VNV and UF18VNV
	F290207P	Door Glass Kit	Models HF25VNV, SF25VNV and UF25VNV
13	F170209	O-Ring	Models HF18VNV, SF18VNV and UF18VNV
	F170219	O-Ring	Models HF25VNV, SF25VNV and UF25VNV
14	F431024	Nut	
15	F100160	Bearing	
16	F630794	Door Hinge Rod	
17	F633791P	Door Hinge	
18	F200131000P	Door Hinge Shim Kit	Includes 2 shims
19	F633790	Door Mount	
20	F431041	Nut	
21	F430532	Screw	Models HF18VNV, SF18VNV and UF18VNV
	F430533	Screw	Models HF25VNV, SF25VNV and UF25VNV
22	F602431-3	Door Stamping	Models HF18VNV, SF18VNV and UF18VNV
	F0602837-03	Door Stamping	Models HF25VNV, SF25VNV and UF25VNV
23	F430231	Nut	
24	F340703	Magnet	
25	F300128P	Door Release Solenoid	
26	F431215	Pop Rivet	
27	F609494	Middle Front Cover	Models HF18VNV, SF18VNV and UF18VNV
	F630596	Middle Front Cover	Models HF25VNV, SF25VNV and UF25VNV
28	F015050100P	Trim	
29	F430916	Screw	
30	F150225	Door Handle	
31	F310125	Door Lock Spring	
32	F320300	Pushbutton Rod	

New Style Door Handle

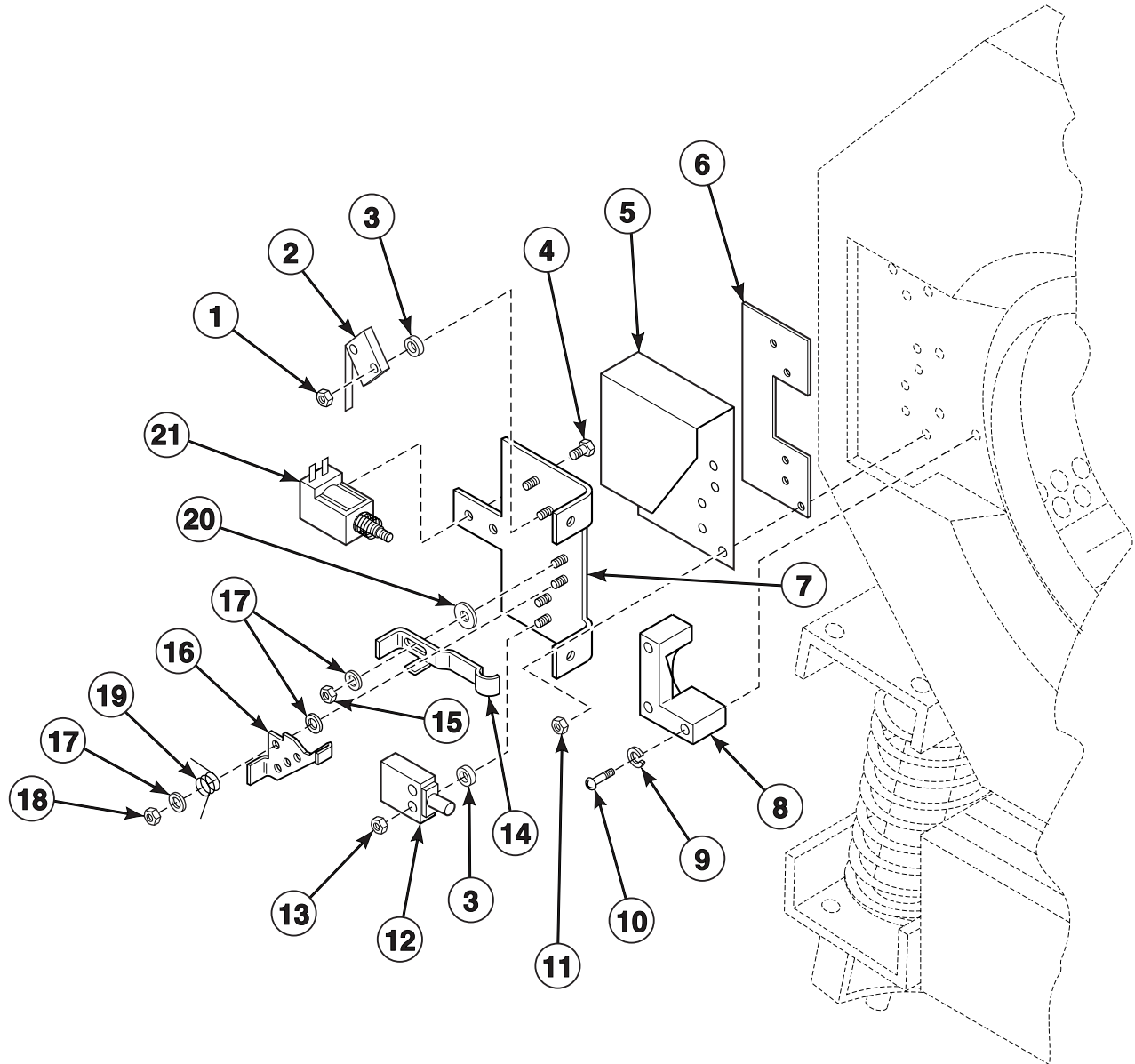


CFS1045B_F232017

New Style Door Handle

REF	PART NO.	DESCRIPTION	COMMENTS
	F0637582-00	Door Handle Upgrade Kit	Includes items 1-6 and installation instructions; This assembly can only be installed onto machines equipped with the pin style door lock
1	F0637564-00	Door Knob	
2	F431222	Spring Pin	
3	F431916	Washer	
4	F0637563-00	Door Handle Spacer	
5	F0637734-00	Latch Arm Upgrade Sub-Assembly	
6	F150267P	Door Holder	

Door Lock - Models Through 12/11/00

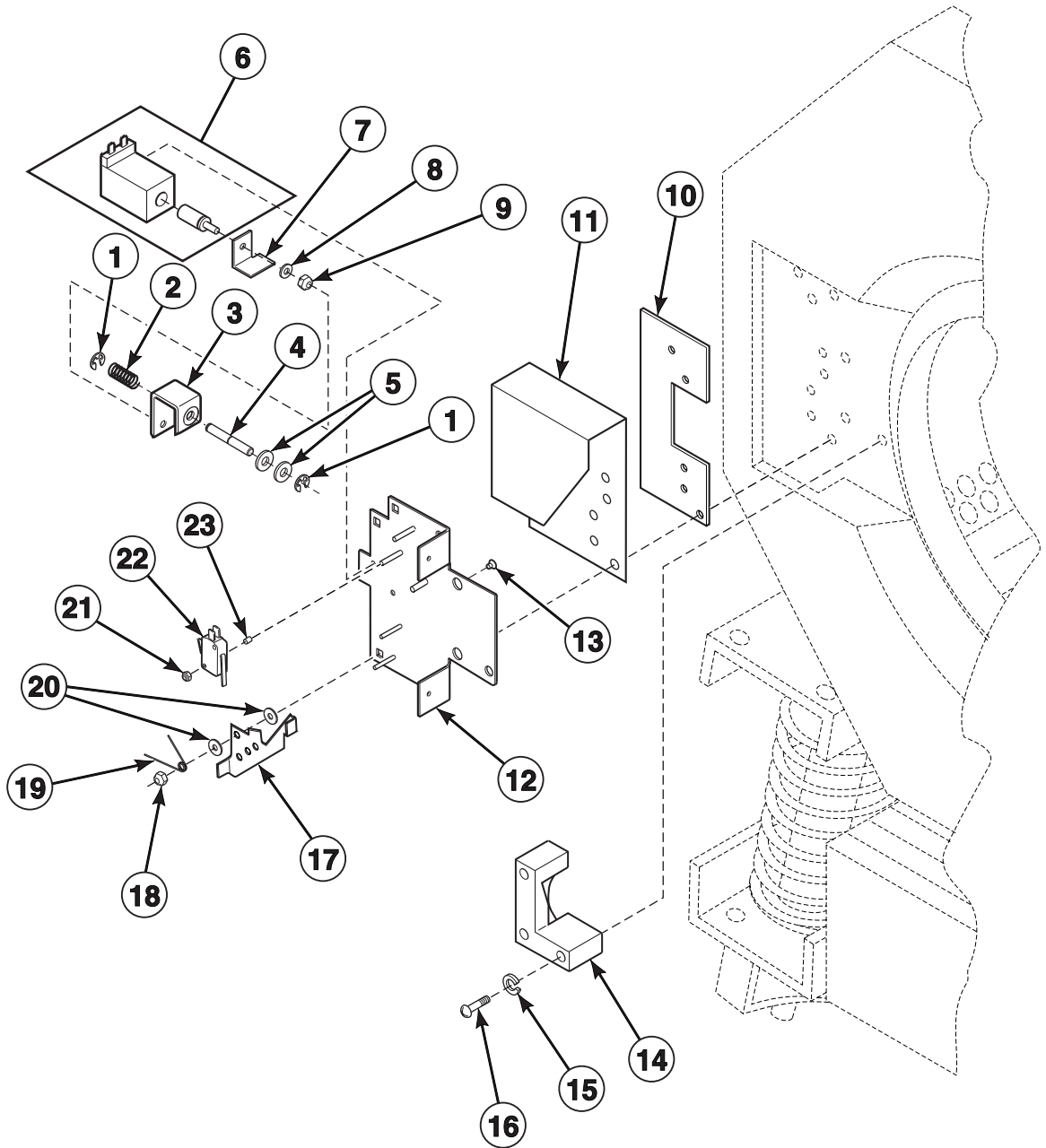


CFS1914P_F232017

Door Lock - Models Through 12/11/00

REF	PART NO.	DESCRIPTION	COMMENTS
	F798752	Door Lock Switch Retrofit	120 Volt; Includes items 12, 15, wiring, connectors, cable ties, position magnet, screw, rivets, reed switch assembly, templates, drawing and installation instructions
1	F430225	Nut	
2	F200203200	Door Lock Microswitch	
3	F431901	Spacer	
4	F430977	Screw	
5	F320200	Door Lock Splash Shield	
6	F603185	Door Lock Plate Shim	
7	F633084	Door Lock Plate Sub-Assembly	
8	F609501	Door Lock Catch	
9	F431100	Washer	
10	F430921	Screw	
11	F431024	Nut	
12	F340200	Door Switch	
13	F430232	Nut	
14	F605382	Pushbutton Stop	
15	F430231	Nut	
16	F605381	Door Lock Lever	
17	F431902	Washer	Nylon
18	F430225	Nut	
19	F310110	Door Lock Torsion Spring	
20	F431147	Washer	Nylon
21	F300128P	Door Release Solenoid	

Door Lock - Models Starting 12/11/00

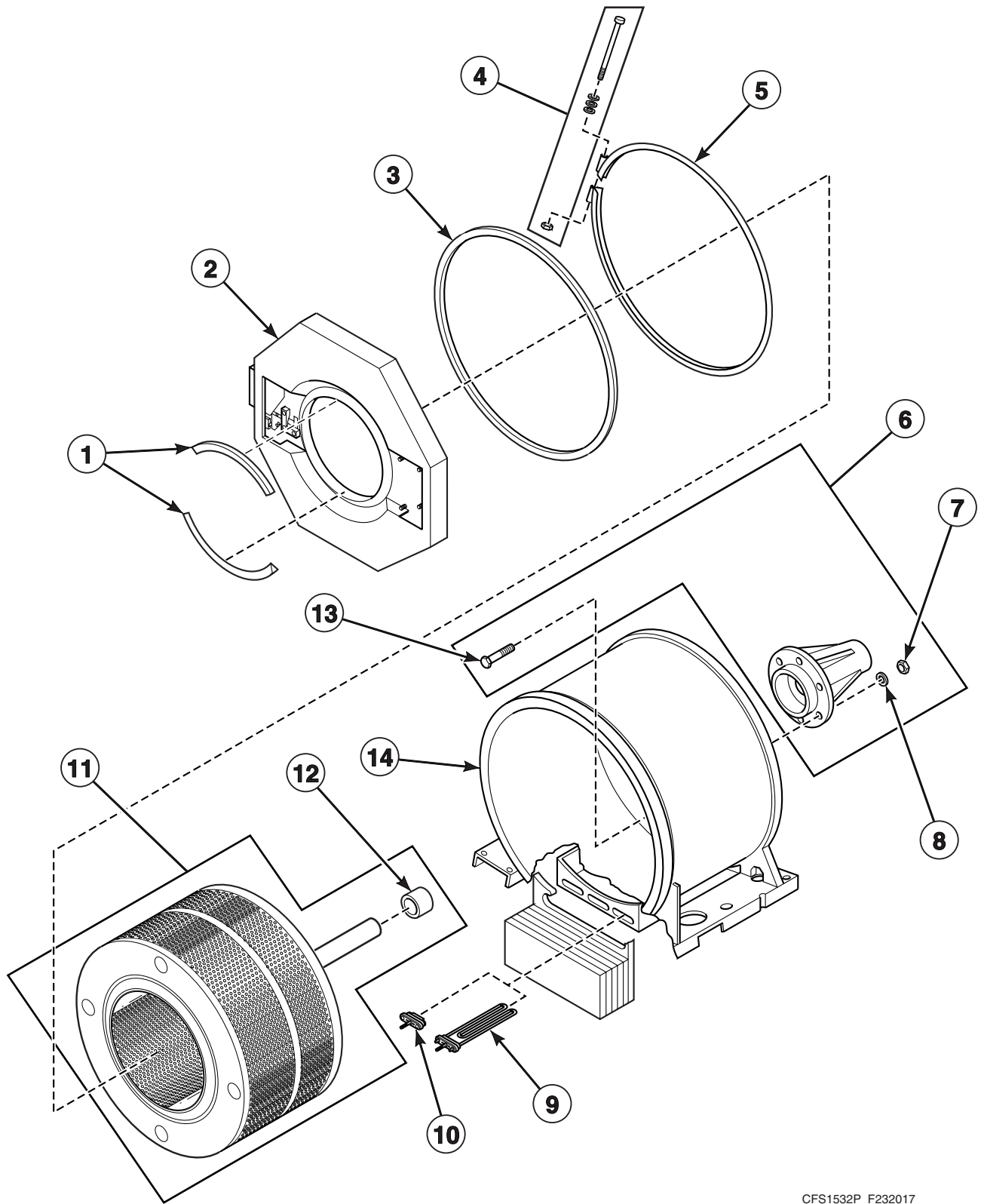


CFS1777P_F232017

Door Lock - Models Starting 12/11/00

REF	PART NO.	DESCRIPTION	COMMENTS
	F0798815-00	Pin Lock Conversion Kit	Includes items 1-9 and 12-23
1	F310205	E-Ring Retainer	
2	F310137	Door Lock Pin Release Spring	
3	F150455	Door Lock Pin Linkage	
4	F431231	Door Locking Linkage Pin	
5	F430317	Washer	
6	F300128P	Door Release Solenoid	
7	F0636103-00	Door Lock Retainer Latch	
8	F431123	Washer	
9	F431017	Nut	
10	F603185	Door Lock Plate Shim	
11	F320200	Door Lock Splash Shield	
12	F633084	Door Lock Plate Sub-Assembly	
13	F430977	Screw	
14	F150261	Door Lock Catch Casting	
15	F431100	Washer	
16	F430921	Screw	
17	F605381	Door Lock Lever	
18	F430232	Nut	
19	F310110	Door Lock Torsion Spring	
20	F431902	Washer	
21	F430225	Nut	
22	F200203200	Door Lock Microswitch	
23	F431901	Spacer	

Basket, Shell and Shell Front

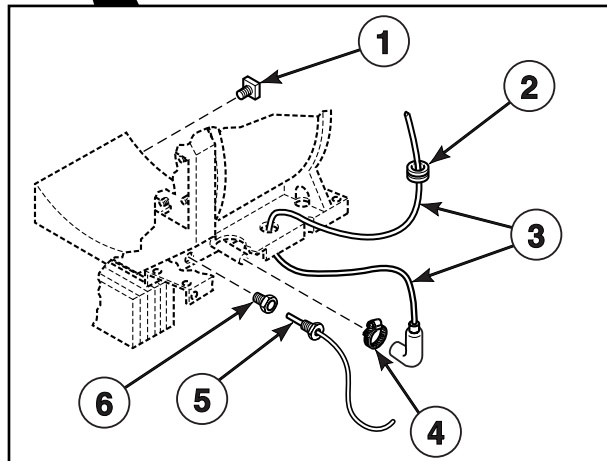
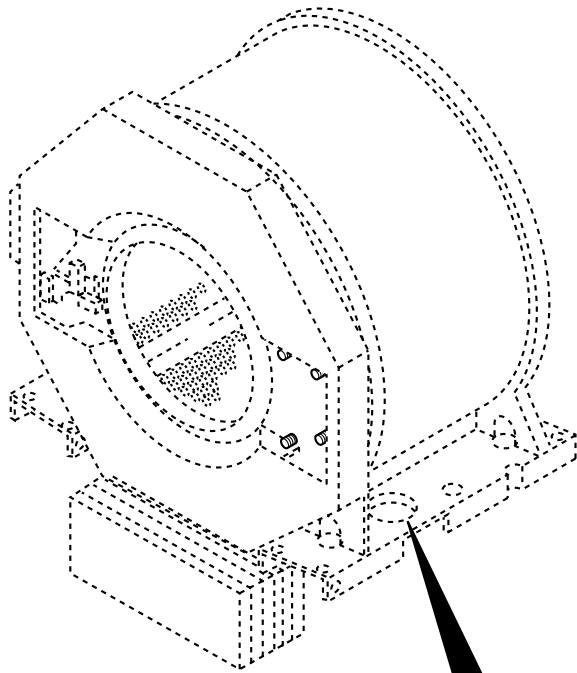


CFS1532P_F232017

Basket, Shell and Shell Front

REF	PART NO.	DESCRIPTION	COMMENTS
1	F170401P	Gasket	
2	F609446	Shell Front Weldment	Models HF18VNV, SF18VNV and UF18VNV
	F630391	Shell Front Weldment	Models HF25VNV, SF25VNV and UF25VNV
3	F200001600P	Shell Band Gasket	
4	F791001	Shell Band Fastener Kit	
5	F602757	Shell Band Assembly	Models HF18VNV, SF18VNV and UF18VNV
	F631977	Shell Band Assembly	Models HF25VNV, SF25VNV and UF25VNV
6	F747006-01	Trunnion Kit	Models HF18VNV, SF18VNV and UF18VNV; Includes items 7, 8 and 13
	F747007-01	Trunnion Kit	Models HF25VNV, SF25VNV and UF25VNV; Includes items 7, 8 and 13
7	F430240	Nut	
8	F431131	Washer	
9	F360206P	Heating Element	
10	F360202	Heating Element Plug	
11	F609440	Basket Assembly	Models HF18VNV, SF18VNV and UF18VNV; Includes item 12
	F609555	Basket Assembly	Models HF25VNV, SF25VNV and UF25VNV; Includes item 12
12	F400379	Shaft Sleeve	Models HF18VNV, SF18VNV and UF18VNV
	F400380	Shaft Sleeve	Models HF25VNV, SF25VNV and UF25VNV
13	F430987	Screw	
14	F609456	Shell Assembly	Models HF18VNV, SF18VNV and UF18VNV
	F609557	Shell Assembly	Models HF25VNV, SF25VNV and UF25VNV

Temperature Probe and Air Trap Hose

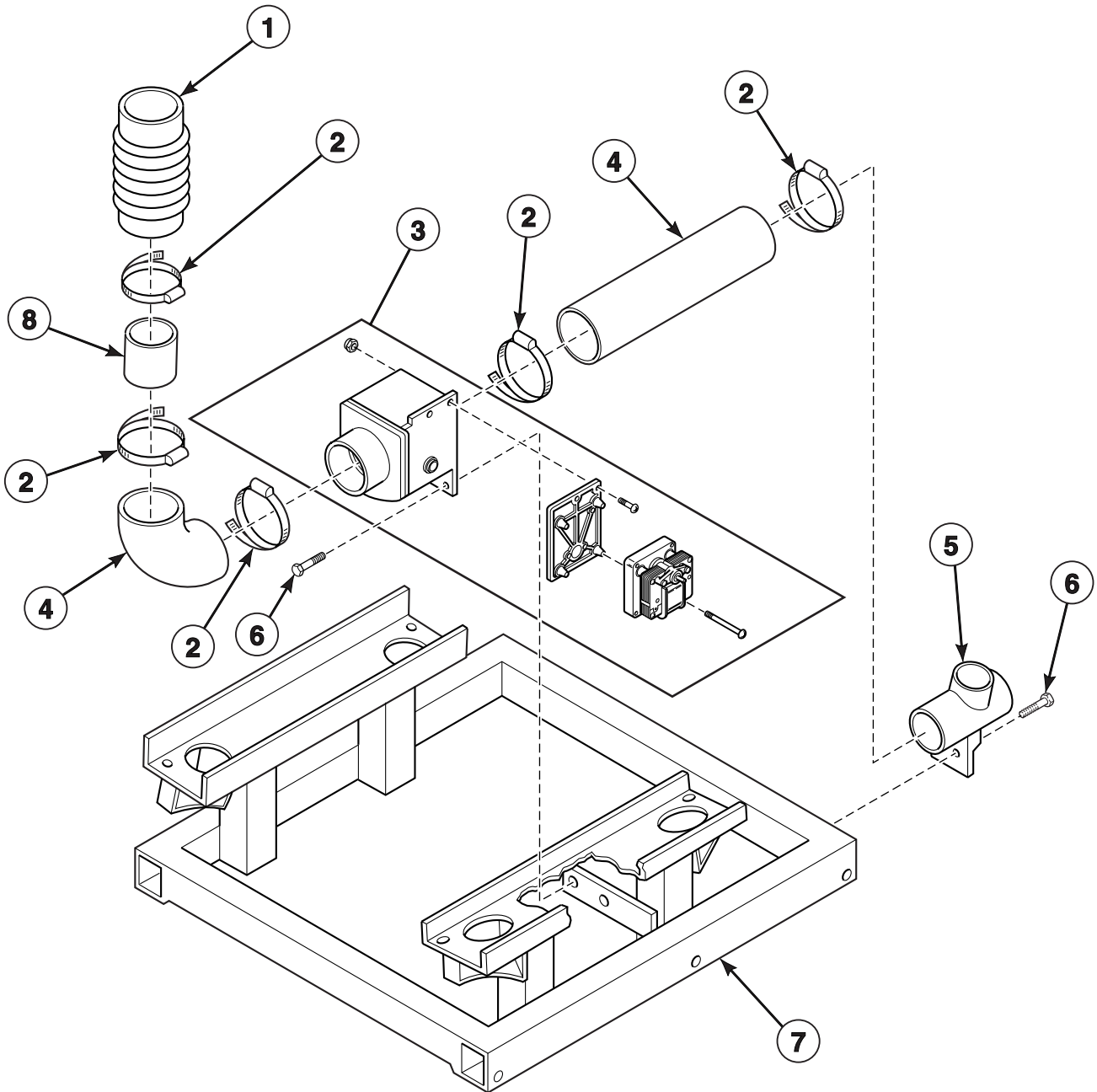


CFS1900P_F232017

Temperature Probe and Air Trap Hose

REF	PART NO.	DESCRIPTION	COMMENTS
1	F421507	Plug	
2	F170604	Grommet	
3	F200142	Air Trap Hose	
4	F200205	Hose Clamp	No. 10
5	F370606P	Temperature Probe	
6	F421936	Reducer Bushing	

Drain Valve, Hoses and Frame Assembly

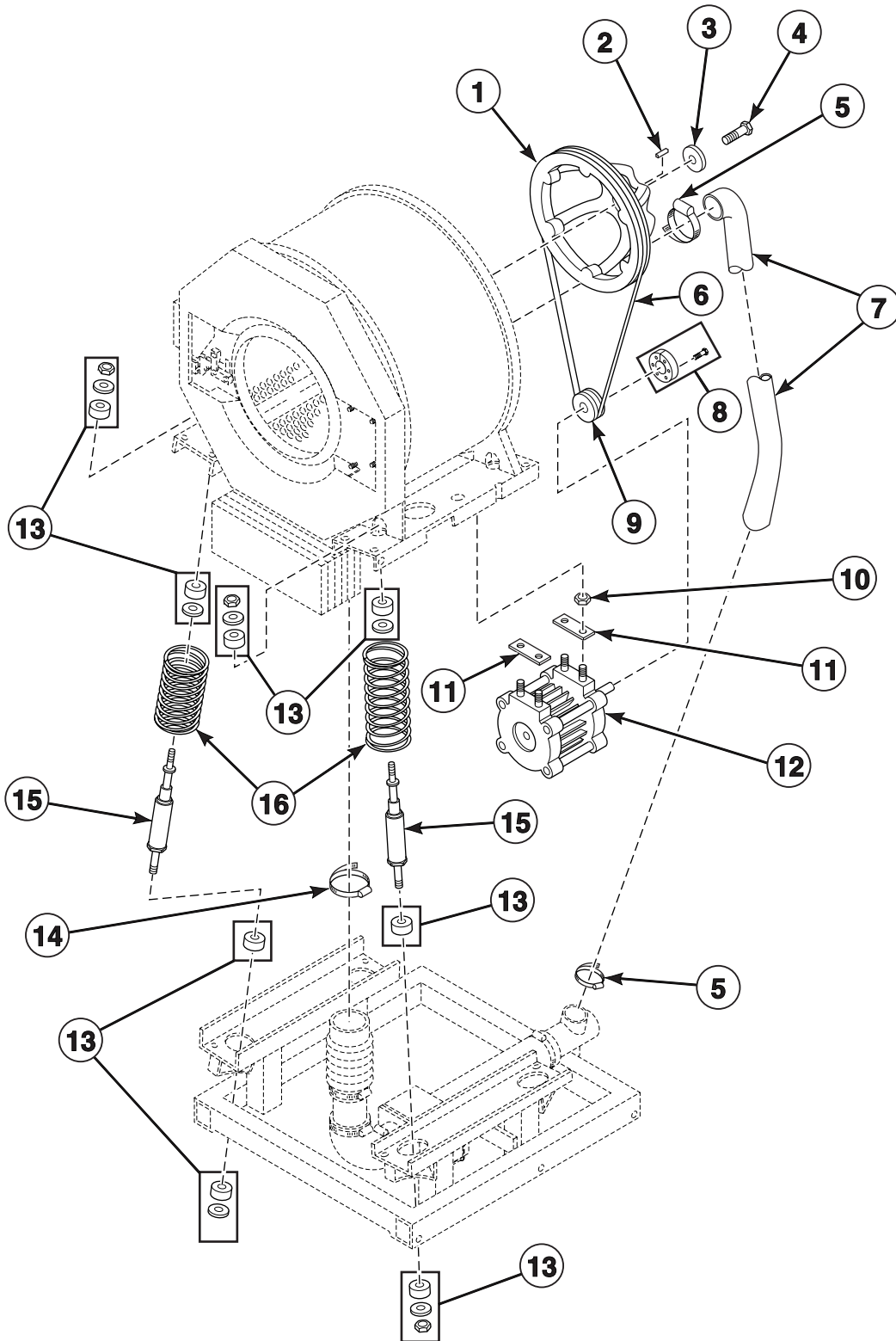


CFS1534P_F232017

Drain Valve, Hoses and Frame Assembly

REF	PART NO.	DESCRIPTION	COMMENTS
1	F200171	Supply Hose	
2	F200213	Hose Clamp	No. 40
3	F380618	Drain Valve	120 Volt
	F380619	Drain Valve	220 Volt
4	F150311	Rear Drain Hose	Models HF18VNV, SF18VNV and UF18VNV
	F150331	Rear Drain Hose	Models HF25VNV, SF25VNV and UF25VNV
5	F150318	Drain Connect Tee	
6	F430103	Screw	
7	F609474	Frame Assembly	Models HF18VNV, SF18VNV and UF18VNV
	F609552	Frame Assembly	Models HF25VNV, SF25VNV and UF25VNV
8	F602794-1	Tubing	

Motor, Belt, Pulley and Suspension



CFS1535P_F232017

Motor, Belt, Pulley and Suspension

REF	PART NO.	DESCRIPTION	COMMENTS
	F790209	Shock and Spring Kit	Models HF18VNV, SF18VNV and UF18VNV; Includes items 15 and 16
1	F150262	Basket Pulley	
2	F430801	Key	
3	F605985F	Pulley Cover Plate	
4	F430100	Screw	
5	F200215	Hose Clamp	No. 28
6	F280406	Belt	Models HF18VNV, SF18VNV and UF18VNV
	F280407	Belt	Models HF25VNV, SF25VNV and UF25VNV
7	F150394	Overflow Hose	
8	F280298P	Pulley Bushing	Includes screws
9	F280278	Pulley	Models through 1/15/99
	F280416	Pulley	Models starting 1/15/99 through 7/19/99
	F280432	Motor Pulley	Models starting 7/19/99 through 2/21/00
	F280416	Pulley	Models starting 2/21/00 through present
10	F430233	Nut	
11	F632370	Motor Shim	
12	F220233	Motor	Models HF18VNV, SF18VNV and UF18VNV; Models through 1/15/99
	N/A	Motor	Models HF18VNV, SF18VNV and UF18VNV; Models starting 1/15/99 through 2/21/00
	F220239	Motor	Models HF18VNV, SF18VNV and UF18VNV; Models starting 2/21/00 through present
	N/A	Motor	Models HF25VNV, SF25VNV and UF25VNV; Models through 2/28/00
	F220240	Motor	Models HF25VNV, SF25VNV and UF25VNV; Models starting 2/28/00 through present
13	F250706	Shock Mounting Hardware	Includes nuts, washers and bushings
14	F200213	Hose Clamp	No. 40
15	F250504	Shock Absorber	
16	F310136	Compression Spring	Models HF18VNV, SF18VNV and UF18VNV
	F310138	Compression Spring	Models HF25VNV, SF25VNV and UF25VNV

N/A = Part no longer available

Parts Index

A

AC Drive Box Assembly	
F634848	9, 11
AC Drive Box Cover	
F0634847-00	9
AC Drive Caution Decal	
F231416	9, 11
AC Drive Mounting Bracket	
F609489	11
F609563	11
Air Trap Hose	
F200142	7, 35

B

Basket Assembly	
F609440	33
F609555	33
Basket Pulley	
F150262	39
Bearing	
F100160	25
Belt	
F280406	39
F280407	39
Bridge Rectifier	
F370310	7

C

Cap	
F190303	19
Clip	
F601515	15
Coin Drop Cover	
F631032	7
Cold Water Decal	
F230857	5
Compression Spring	
F310136	39
F310138	39
Connection Box	
F609483	9, 11
Connection Box Cover	
F609484	9, 11
Connector	
F140668	7
Contact Block Switch	
F340445	15
Control Panel	
F0635954-00	15
Control Panel Decal	
F0231583-00	15
F0231583-01	15
F0231583-02	15
F0231583-03	15
F0231583-04	15

F0231583-05	15
F231080	15
F231081	15
F231145	15
F231159	15
F231160	15
F231240	15
F231242	15
Control Transformer Decal	
F231299	9, 11
Counterclockwise Spin Rotation Decal	
F230693	25

D

Disconnect Power Warning Label	
505281	5, 7
Door Gasket	
F170123-1	25
F20000201	25
Door Glass Kit	
F290205P	25
F290207P	25
Door Handle	
F150225	25
Door Handle Kit	
F730155	25
Door Handle Spacer	
F0637563-00	27
Door Handle Upgrade Kit	
F0637582-00	27
Door Hinge	
F633791P	25
Door Hinge Rod	
F630794	25
Door Hinge Shim Kit	
F200131000P	25
Door Holder	
F150267P	25, 27
Door Holder Spacer	
F432305	25
Door Knob	
F0637564-00	27
Door Lock Catch	
F609501	29
Door Lock Catch Casting	
F150261	31
Door Lock Lever	
F605381	29, 31
Door Lock Microswitch	
F200203200	29, 31
Door Lock Pin Linkage	
F150455	31
Door Lock Pin Release Spring	
F310137	31
Door Lock Plate Shim	
F603185	29, 31
Door Lock Plate Sub-Assembly	
F633084	29, 31

N/A items do not appear in index.

Door Lock Retainer Latch F0636103-00.....	31
Door Lock Splash Shield F320200.....	29, 31
Door Lock Spring F310125.....	25
Door Lock Switch Retrofit F798752.....	29
Door Lock Torsion Spring F310110.....	29, 31
Door Locking Linkage Pin F431231.....	31
Door Mount F633790.....	25
Door Release Solenoid F300128P.....	25, 29, 31
Door Stamping F0602837-03.....	25
F602431-3.....	25
Door Switch F340200.....	29
Door Warning Label 81968.....	5
Drain Connect Tee F150318.....	37
Drain Decal F231150.....	5
Drain Valve F380618.....	37
F380619.....	37

E

Electric Hazard Warning Decal F230831.....	5
Electric Warning Decal F230217.....	5
Electrical Box F609486.....	7
Electrical Panel Cover F609487.....	7, 11
Emergency Stop Decal F231083.....	15
Emergency Stop Pushbutton F340718.....	15
Emergency Stop Weldment F609512.....	15
E-Ring Retainer F310205.....	31

F

Fan F220899.....	9, 11
Fill Hose F150436.....	21
Filter F0270321-00P.....	9, 11
F270306P.....	23
Filter Retainer Guard F220900.....	9, 11

Filter Screen F270300.....	23
Frame Assembly F609474.....	37
F609552.....	37
Front Cover F609480.....	13
F609572.....	13
Front Cover Gasket F170180P.....	13
Fuse F350108.....	7
F350109.....	7
F350128.....	9, 11
F350131.....	7
F350133.....	7
Fuse Holder F350304P.....	7, 9, 11

G

Gasket F170401P.....	33
Grommet F170604.....	35
Ground Decal F230630.....	5
F230739.....	5
Ground Terminal Lug F140734.....	9, 11

H

Heating Element F360206P.....	33
Heating Element Plug F360202.....	33
Hose Clamp F200204.....	21
F200205.....	35
F200213.....	21, 37, 39
F200215.....	39
36801.....	23
Hot Water Decal F230856.....	5

I

Injection Nozzle F380300.....	19
Injection Nozzle Kit F730168.....	19
Input Power Block F140747.....	9, 11
Inverter Drive F370811.....	11
F370812.....	11
F370813.....	11
F370855.....	9
F370856.....	9
F370857.....	9

N/A items do not appear in index.

F370858 9, 11

J

Jumper
F140883 7

K

Key
F160562 13
F430801 39

Keypad
F370576P 15

L

Latch Arm Upgrade Sub-Assembly
F0637734-00 27

Lid Clamp Assembly
F630430 17

Lid Lock
F190802P 13

Liquid Supply Decal
F230877 5

M

Magnet
F340703 25

Middle Front Cover
F609494 25
F630596 25

Momentary Switch
F340412 15

Motor
F220233 39
F220239 39
F220240 39

Motor Pulley
F280432 39

Motor Shim
F632370 39

Mounting Bracket
F602722 17

Muffin Fan
F110106 9, 11

N

Nut
F430215 9, 11
F430220 7
F430224 19, 23
F430225 29, 31
F430231 7, 9, 11, 15, 25, 29
F430232 9, 11, 23, 25, 29, 31
F430233 39

F430240 33
F431005 9, 11, 17
F431017 31
F431024 13, 15, 21, 25, 29
F431041 25

O

O-Ring
F170208 19
F170209 25
F170219 25

Output Board CCA
F370447P 7

Overflow Hose
F150394 39

Overlay
F231402 15

P

Panel Decal
F230657 15

Personal Injury Warning Decal
F231065 5

Pin Lock Conversion Kit
F0798815-00 31

Plug
F421507 35

Pop Rivet
F431215 17, 25

Pulley
F280278 39
F280416 39

Pulley Bushing
F280298P 39

Pulley Cover Plate
F605985F 39

Push Red Button Decal
F230661 25

Pushbutton Rod
F320300 25

Pushbutton Stop
F605382 29

R

Rear Cover
F609477 13
F609568 13

Rear Drain Hose
F150311 37
F150331 37

Red Dot Decal
F230662 25

Reducer Bushing
F421936 35

Remove Transformer Bracket Warning Tag
F230560 5

N/A items do not appear in index.

Ribbon Cable	
F140247	7

S

Screw	
F430100	39
F430103	37
F430174	7, 9, 11, 13, 23
F430532	25
F430533	25
F430910	9, 11
F430916	25
F430921	29, 31
F430925	13, 15, 21
F430928	7
F430929	9, 11
F430938	9, 11
F430948	23
F430976	9, 23, 25
F430977	29, 31
F430986	15
F430987	33
F430994	7
Shaft Sleeve	
F400379	33
F400380	33
Shell Assembly	
F609456	33
F609557	33
Shell Band Assembly	
F602757	33
F631977	33
Shell Band Fastener Kit	
F791001	33
Shell Band Gasket	
F200001600P	33
Shell Front Weldment	
F609446	33
F630391	33
Shock Absorber	
F250504	39
Shock and Spring Kit	
F790209	39
Shock Mounting Hardware	
F250706	39
Side Panel	
F609478	13
F609573	13
Soap Dispenser	
F602374-2	17
Spacer	
F431901	29, 31
Spring Pin	
F431222	25, 27
Standoff	
F180501	7
Steam Decal	
F231147	5
Strain Relief Connector	
F140224	7
F140329	9, 11
F140331	7, 9, 11

Supply Dispenser	
F602374-3	17
Supply Dispenser Gasket	
F170170	17
Supply Dispenser Lid	
F200270501	17
Supply Hose	
F150454	21
F200171	37

T

Take-Apart Hinge	
F190203P	13
Temperature Probe	
F370606P	35
Terminal	
F140766	9, 11
Top Cover Assembly	
F632976	13
F632976-1	13
Top Cover Latch	
F602753	13
Trim	
F015050100P	25
Trunnion Kit	
F747006-01	33
F747007-01	33
Tubing	
F602794-1	37

V

Vacuum Breaker Bottom	
F150330	21
Vacuum Breaker Top	
F0150329-00	23
Valve Panel	
F634843	13
F634844	13
Valve Repair Kit	
F380938	23
Valve, 3-Way	
F381720P	23
F381725P	23
F381728P	23
Vent Hose	
F200170	21
Vent Nipple	
F422517	21
V-Series Microcomputer Board Kit	
F370313-10P	15

W

Washer	
F430317	17, 31
F431100	29, 31
F431123	31
F431131	33
F431147	29

N/A items do not appear in index.

F431902.....	29, 31
F431916.....	25, 27
20290.....	23
Water Hose	
F200108P.....	23
F200164.....	23
Water Level Switch	
F0340343-10P.....	7
Water Pressure Switch	
F0340350-00.....	7
Wye	
F421612.....	21

Y

Y Connector	
F422808.....	23
