



## DRYING CABINET TS 62

Very low energy consumption, only 0,6 kWh/kg\*, and very short drying time, 40 minutes\*. The cabinet works with a humidity sensor and has double fans and air-channels which create a perfect balance between evacuated and re-circulated air.



A large display shows with symbols and text, information during the drying process. Manual or automatic programs. The automatic program dries the clothes until they are dry, not a minute longer thanks to our own Humidity Tracking System (HTS).

### Standard equipment

- 3 temperature levels for the manual programs and 2 automatic programs; cabinet dry and Iron dry.
- Capacity, up to 8 kg.
- The doors open 190°.
- The unique, hanging frame, which also is turnable, can be rotated 180°. This makes it easier to handle the laundry.
- The hanging frame has 18 arms and a complete hanging length of 17 m.
- Lighting, inserted.
- Round base door catch magnets. Rubber coated to protect paintwork.
- Double overheat-protection (electrical and electromechanical) for increased security.
- The feet are adjustable from the inside of the cabinet.
- The top is removable for easier handling and installation.
- Test program and error codes make it easier to find what is wrong. Updated setup mode with possibilities to adjust the function of the cabinet.
- Choose between Swedish, English and French Instructions.



### Optional extras

- Can be ordered with left-hand hanging frame.
- Lint-filter



**NEW!**

**HTS...**  
Humidity Tracking System

### Main specifications

	TS 62
Loading capacity, kg/lbs	up to 8 kg/17,6 lbs
Drying capacity, g/min *	79
Hanging length, m	17
Drying time, min *	40
Evacuated air, max, m³/h	240
Heating effect, kW	6,0
Total effect, kW	6,3
Energy consumption/kg, kWh	0,6
Part No	131025

\*Drying of 6 kg cotton (dry weight), washed and high-spinned to 53% residual moisture. The cabinet works another 15 minutes with cool-down after the textiles are dry. Compared to earlier models, this cabinet has 25% lower energy consumption.

**GOUD**  
Laundry Solutions



# Technical specification



## TS 62

<b>Electrical connections</b>	
Electrical connection*	3-N, 400 V, 50 Hz
Fuse, A	10
Total effect, kW	6,3
Heating elements, kW	6,0

<b>Air connections</b>	
Outlet exhaust, ø mm/inch	125/4,92
Outlet air flow, m <sup>3</sup> /h	150
Pressure drop, max Pa**	55

<b>Sound level</b>	
Airborne sound level, dB(A)	58

<b>Shipping data</b>	
Net, kg/lbs	145/319,7
Crated, kg/lbs	147/320,8
Shipping data net, kg/lbs	158/350,5
Shipping volume, m <sup>3</sup>	1,78

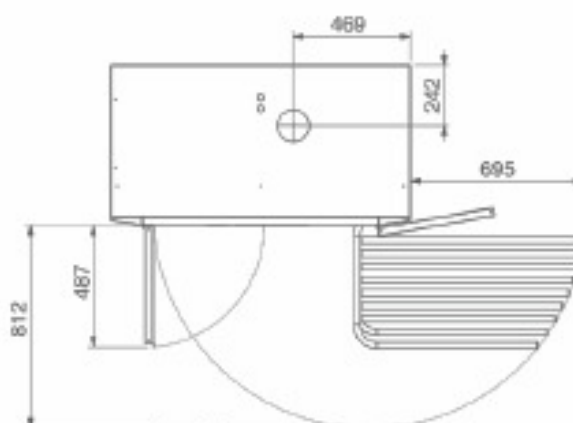
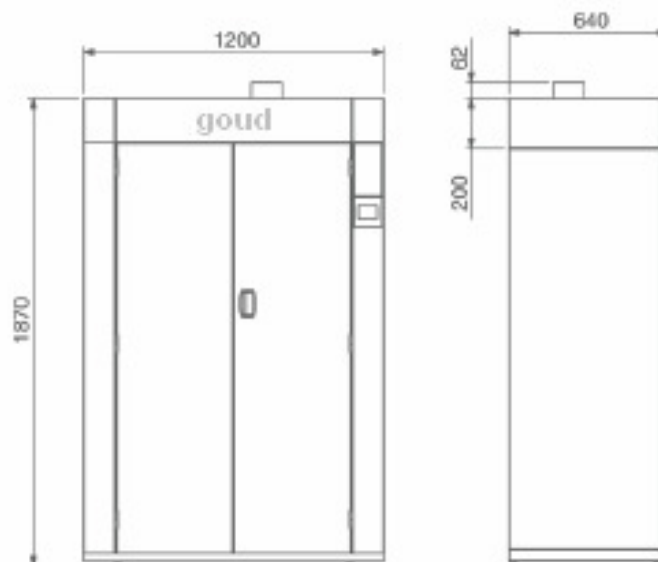
<b>Optional extras</b>	
Air exchanger 1 vent, 125 mm/4,9 inch	141009
Air exchanger 2 vent, 160 mm/6,3 inch	141018

<b>Dimensions</b>	
Width, mm/inch	1200/47,2
Depth, mm/inch	640/25,2
Height, mm/inch	1870/73,6

\* Other voltage on request.

\*\* Recommended optimal airflow, pressure drop is equivalent to a straight air duct, 42 m of length and 125 mm in diameter.

h mm



TS 62

**GOULD**  
Laundry Solutions

paukenslag 1 - 3286TD - Klaaswaal = tel: 0186-576050 - Fax: 0186-575047  
www.laundrysolutions.nl - info@laundrysolutions.nl