

HIGH SPIN WASHER

THE MOST EFFICIENT FOR THE MOST DEMANDING CUSTOMERS

WED 27
WED 36

FEATURES

- High spin washer extractor. No need to be anchored to the floor.
- G Force 450.
- Body, drum and tub in stainless steel.
- Detergent dispenser with 4 compartments.
- 8 signals for automatic liquid dosing, programmable in time and delay.
- 3 water inlets.
- These machines have electronic control of imbalance with frequency inverter, that detects the unbalanced load before spinning. Standard frequency: 50 - 60 Hz.
- New microprocessor EASY TOUCH with touch screen. 26 preset programs.
- Possibility of programming, exporting and importing programs without limit, software updates, through USB port, using USB drive.
- Traceability standard: All washing process (temperatures, water levels) is stored in the washer and can be extracted to a PC by means of a USB drive.
- RS-485 serial communication port for monitoring / remote management.
- Wet Cleaning standard in the microprocessor: fully adjustable water levels and washing speed for delicate.
- Optimal loading standard to optimize water and chemicals consumptions.
- LOADING AID feature with water and rotation control for easy loading of the linen.
- Self-service version available by installing a central pay or coin meter on the standard model.
- CE, WRAS and GOST approved product. Optional version for ETL certified product.



OPTIONS

- Double drain kit, allow the recovery of the water, with important water savings.
- Leveling feet.
- Bottom cover and plinth for loading height 850 mm from door bottom. Model WED27.
- Bottom cover and plinth for having same height in washers. Model WED27.
- Relay card with 6 extra dosing signals: total of 14 signals in the machine.
- Weighing System. Weighing sensor system on feet.
- Steam kit to transform an electric or hot water heated machine into steam version.
- Self-Service Kits: Coiner and box; Central pay; Delayed opening door option in case of power outage.
- Voltage 230 V III 50/60 Hz. Model WED36.
- Ship voltage for electric models: 440V III 50/60 Hz No neutral or 480V III 50/60 Hz No neutral.



Charge optimale



Installation et maintenance aisées



Tambour efficace

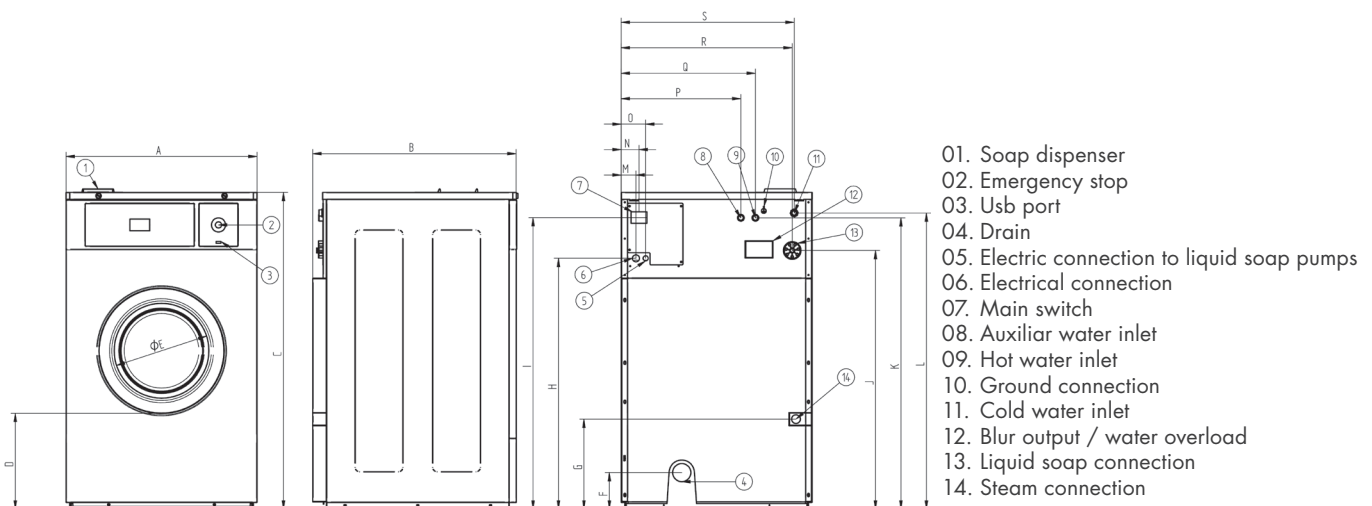


Wet cleaning



Pesage

TECHNICAL DATA	UNIT.	WED27	WED36
DRUM			
Load capacity 1:9 / 1:10	Kg	28/25	39/35
Volume	l	250	350
Diameter	mm	770	860
Depth	mm	530	602
GENERAL DETAILS			
Washing speed / Spining speed	r.p.m.	45/1035	42,5/975
G Factor	-	450	450
Self-service version	-	Yes	Yes
Double drain	-	Opt	Opt
Option 8mm holes drum	-	No	No
Weighing System / Tilting System	-	Opt/No	Opt/No
DOOR			
Height center door / Height base door	mm	865/600	885/540
Diameter	mm	373	560
POWER			
Motor	kW	3	4
Heating (Electric model)	kW	18	21
Max. power (Electric model)	kW	19	22
Max. power (steam and hot water)	kW	3	4
CONNECTIONS			
Water inlet	inch	3/4"	3/4"
Steam inlet	inch	3/4"	3/4"
Drain	mm/inch	80/3"	80/3"
Maximum water consumption	Lit/h	336	400
Water main pressure	Kgs/cm ²	2-4	2-4
Tension 230V - I + N	-	No	No
Tension 230V - III	-	3x10+T - 48A	3x10+T - 48A
Tension 400V - III + N	-	4x4+T - 32A	4x4+T - 32A
DIMENSIONS / PACKING DIMENSIONS			
Width / Width	mm	979/1040	1095/1165
Depth / Depth	mm	1041/1160	1184/1230
Height / Height	mm	1548/1850	1598/1920
Net weight / Gross weight	kg	490/545	750/820
Volume	m ³	2,23	2,75



	A	B	C	D	E	F	G	H	I	J	K	L	M	N	O	P	Q	R	S
WED27	979	1041	1553	610	373	130	532	1279	1343	1282	1462	1462	61	74	101	506	586	864	906
WED36	1095	1184	1598	522	560	155	990	1326	1494	1344	1509	1509	61	74	101	621	701	979	1021